

**Fig no. YF-PN40**

**1/2" - 12" DN15-300**



**Features :**

Sand Castings Component  
 Bolted cover for DN50 & above,  
 Screwed cover for smaller sizes  
 Covers furnished with blow-off plug.  
 For general industrial and chemical application  
 Carbon steel available upon available

**Standard Compliance :**

Body wall thickness : EN12516-1  
 Face to face : DIN 3202 F1 for DN15-150  
 ANSI B16.10 Class 150 for DN200 - 300  
 Flange dimension : EN1092-1 PN40  
 Body Material : EN 1503-1  
 Pressure testing : EN 12266

**Specification :**

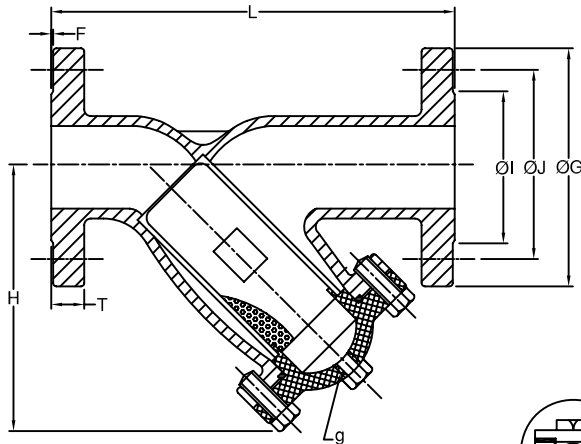
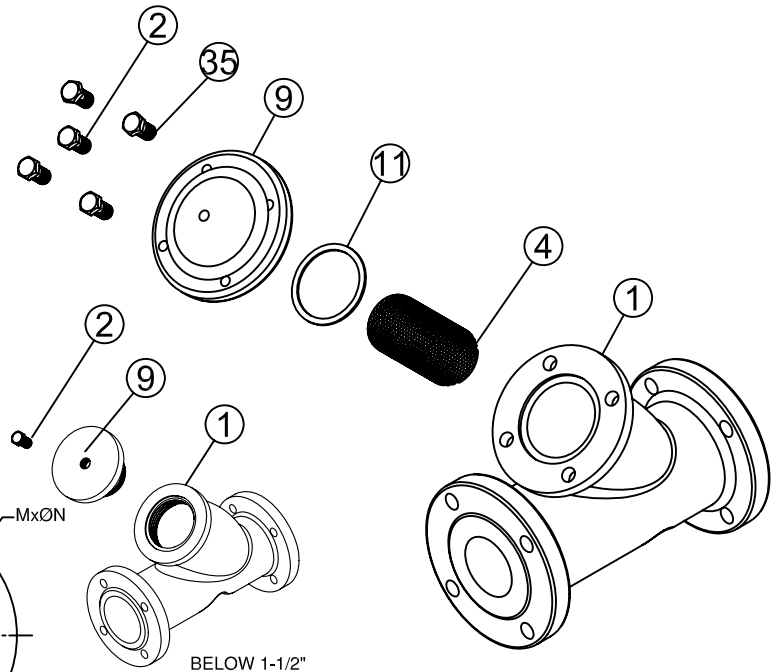
End connection : Flange RF  
 Working pressure : 36.4 bar ( CWP )  
 Temperature : -20 ~ 180°C

**Options :**

Double Screen ( 40 ~200 mesh )

**MATERIALS LIST**

NO.	PART NAME	MATERIAL
1	BODY	1.4408 / EN1503-1
2	PLUG	CF8 / EN1503-2
4	SCREEN	SS304
9	CAP	1.4408 / EN1503-1
11	BODY SEAL	PTFE.
35	BOLT	ASTM A193 Gr.B8



**DIMENSIONS**

SIZE	L	H	ØG	ØJ	ØI	T	F	M	ØN	unit:mm
DN15 1/2"	130.0	57.0	95.0	65.0	45.0	16.0	2.0	4	14.0	1/4"
DN20 3/4"	150.0	78.0	105.0	75.0	58.0	18.0	2.0	4	14.0	1/4"
DN25 1"	160.0	98.0	115.0	85.0	60.0	18.0	2.0	4	14.0	1/4"
DN40 1-1/2"	200.0	109.0	150.0	110.0	88.0	18.0	3.0	4	18.0	1/4"
DN50 2"	230.0	140.0	165.0	125.0	102.0	20.0	3.0	4	18.0	1/2"
DN65 2-1/2"	290.0	180.0	185.0	145.0	122.0	22.0	3.0	8	18.0	1/2"
DN80 3"	310.0	228.0	200.0	160.0	138.0	24.0	3.0	8	18.0	3/4"
DN100 4"	350.0	300.0	235.0	190.0	162.0	24.0	3.0	8	23.0	1"
DN125 5"	400.0	300.0	270.0	220.0	188.0	26.0	3.0	8	27.0	1-1/2"
DN150 6"	480.0	350.0	300.0	250.0	218.0	28.0	3.0	8	27.0	2"
DN200 8"	633.0	420.0	375.0	320.0	285.0	34.0	3.0	12	30.0	2"
DN250 10"	663.0	498.0	450.0	385.0	345.0	38.0	3.0	12	33.0	2"
DN300 12"	772.0	575.0	515.0	450.0	410.0	42.0	4.0	16	33.0	2"