

Fig no. YF-PN16

1/2" - 14" DN15-350



Features :

Sand Castings Component
 Bolted cover for DN50 & above,
 Screwed cover for smaller sizes
 Covers furnished with blow-off plug.
 For general industrial and chemical application
 Carbon steel available upon available

Standard Compliance :

Body wall thickness : EN12516-1
 Face to face : DIN 3202 F1 for DN20-150
 ANSI B16.10 Class 150 for DN15, DN200 - 350
 Flange dimension : EN1092-1 PN16
 Body Material : EN 1503-1
 Pressure testing : EN 12266

Specification :

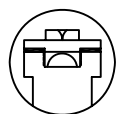
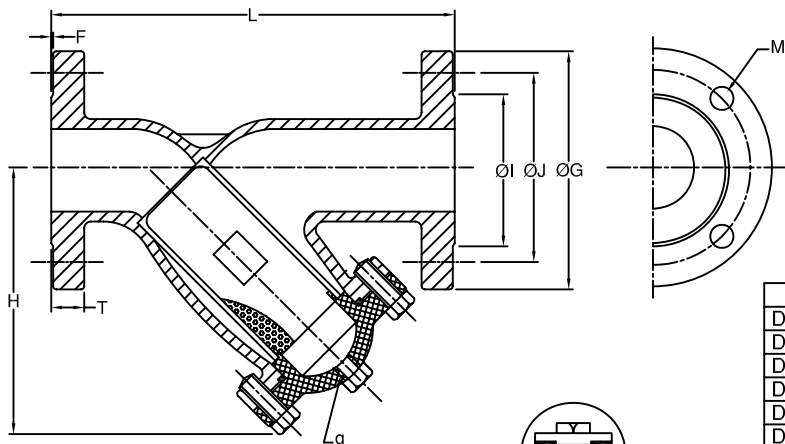
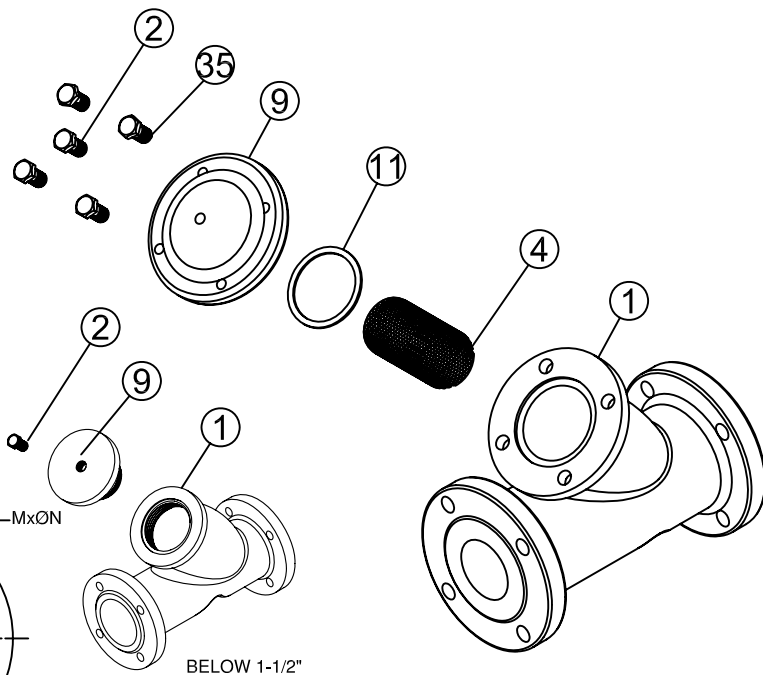
End connection : Flange RF
 Working pressure : 14.6 bar (CWP)
 Temperature : -20 ~ 180°C

Options :

Double Screen (40 ~200 mesh)

MATERIALS LIST

NO.	PART NAME	MATERIAL
1	BODY	1.4408 / EN1503-1
2	PLUG	CF8 / EN1503-2
4	SCREEN	SS304
9	CAP	1.4408 / EN1503-1
11	BODY SEAL	PTFE.
35	BOLT	ASTM A193 Gr.B8



BELOW 1-1/2"

DIMENSIONS

SIZE	L	H	ØG	ØJ	ØI	T	F	M	ØN	unit:mm	
										g	g
DN15	1/2"	152.0	57.0	95.0	65.0	48.0	14.0	2.0	4	14.0	1/4"
DN20	3/4"	150.0	78.0	105.0	75.0	58.0	14.0	2.0	4	14.0	1/4"
DN25	1"	160.0	85.0	115.0	85.0	68.0	18.0	2.0	4	14.0	1/4"
DN40	1-1/2"	200.0	109.0	150.0	110.0	88.0	18.0	3.0	4	18.0	1/4"
DN50	2"	230.0	146.0	165.0	125.0	102.0	18.0	3.0	4	18.0	1/2"
DN65	2-1/2"	290.0	180.0	185.0	145.0	122.0	18.0	3.0	4	18.0	3/4"
DN80	3"	310.0	200.0	200.0	160.0	138.0	20.0	3.0	8	18.0	1"
DN100	4"	350.0	240.0	220.0	180.0	158.0	20.0	3.0	8	18.0	1-1/2"
DN125	5"	400.0	300.0	250.0	210.0	188.0	22.0	3.0	8	18.0	2"
DN150	6"	480.0	330.0	285.0	240.0	212.0	22.0	3.0	8	23.0	2"
DN200	8"	630.0	400.0	340.0	295.0	268.0	24.0	3.0	12	23.0	2"
DN250	10"	663.0	495.0	405.0	355.0	320.0	26.0	3.0	12	27.0	2"
DN300	12"	772.0	600.0	460.0	410.0	378.0	28.0	4.0	12	27.0	2"
DN350	14"	950.0	736.0	520.0	470.0	438.0	30.0	4.0	16	27.0	2"