

Fig No. V-908 Full Bore
1/2" - 3" DN 15 ~ DN 80



Features :

- API 607 6th Edition Fire Test Approved
- Investment casting component
- Blow out proof design, Anti-static device
- ISO 5211 Direct mounting type
- For General chemical and industrial application
- Carbon Steel or Super Alloy available upon request

Compliance :

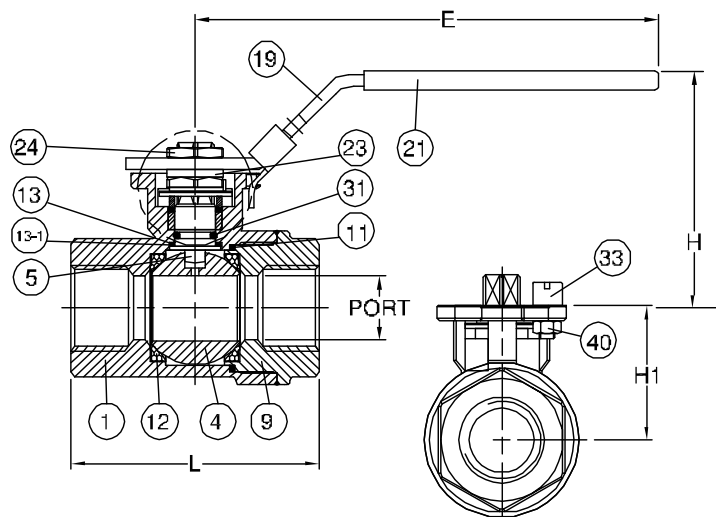
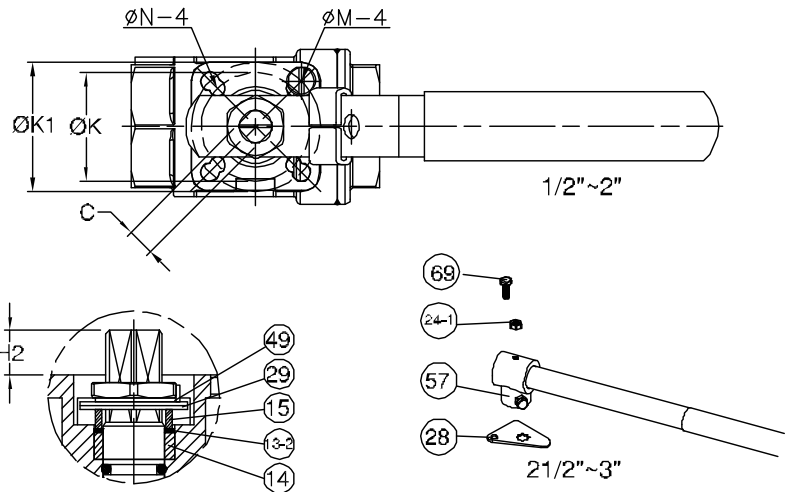
- Body wall thickness : EN12516-1/3
- Threaded end : BS 21 (BSP)
BSPT
ISO228-1
DIN 2999
- Face to face : MFG's standard
- Body material : EN1503-1
- Pressure testing : EN 12266

Specification :

- End connection : Threaded end
- Working pressure : 2000 psi (PN140) 140 bar (CWP)
- Temperature : -20 to 180 °C

MATERIAL LIST

NO.	PART NAME	MATERIAL
1	BODY	ASTM A351 Gr.CF8M
4	BALL	ASTM A351 Gr.CF8M
5	STEM	17-4 PH
9	END CAP	ASTM A351 Gr.CF8M
11	BODY SEAL	GRAPHITE
12	SEAT	PTFE
13	THRUST WASHER	GRAPHITE+PTFE
13-1	THRUST WASHER	PTFE
13-2	THRUST WASHER	TFM1600
14	STEM PACKING	GRAPHITE+TFM1600
15	GLAND BUSH	SS304
19	HANDLE	SS304
21	HANDLE COVER	VINYL GRIP
23	SPRING	SS304
24	HANDLE NUT	SS304
24-1	HANDLE NUT	A2-70
28	STOP PLATE	SS304
29	BELLEVILLE WASHER	SUS304-CSP
31	O RING	VITON
33	STOPPER	SS304
40	EYE BOLT	A2-70
49	STOP	SS304
57	STEM ADAPTER	CF8
69	HANDLE BOLT	A2-70



DIMENSIONS

unit:mm

SIZE	PORT	L	E	H	H1	H2	C	ØK-1	ØK	ØM	ØN	
DN15	1/2"	15.0	78.8	132.0	64.0	35.85	8.1	9.0	42.0	36.0	6.0	6.0
DN20	3/4"	20.0	85.4	132.0	71.0	41.1	9.0	9.0	42.0	36.0	6.0	6.0
DN25	1"	25.0	96.3	180.0	92.0	49.8	11.5	11.0	50.0	42.0	7.0	6.0
DN32	1-1/4"	32.0	109.3	180.0	97.0	56.05	11.5	11.0	50.0	42.0	7.0	6.0
DN40	1-1/2"	38.1	120.3	225.0	112.0	70.1	15.0	14.0	70.0	50.0	9.0	7.0
DN50	2"	50.0	138.4	225.0	121.0	78.1	15.0	14.0	70.0	50.0	9.0	7.0
DN65	2-1/2"	65.0	183.0	477.0	165.0	100.6	17.0	17.0	102.0	70.0	11.0	9.0
DN80	3"	80.0	202.5	477.0	176.0	112.1	17.0	17.0	102.0	70.0	11.0	9.0