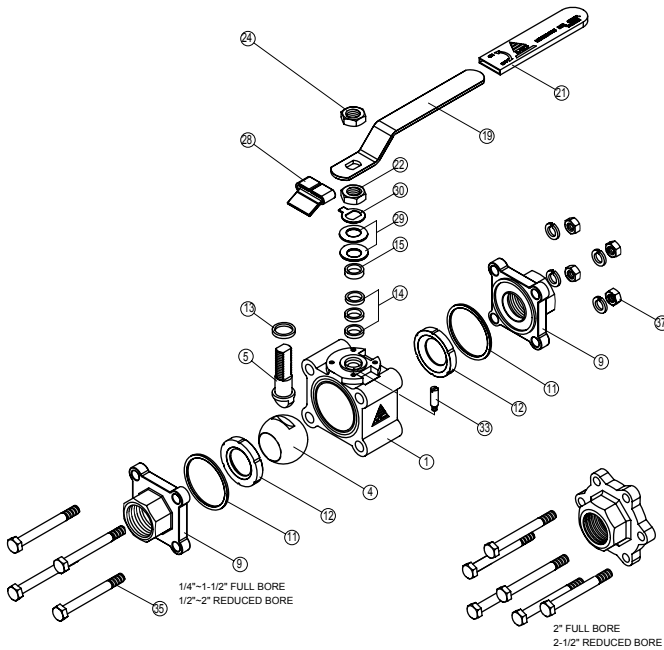




# Three Piece Ball Valves, Reduced Bore, 2000/1500 psi Alloy 20 Material

Fig No: V-255A Reduced Bore  
1/2"~ 2-1/2" DN15 ~ DN65



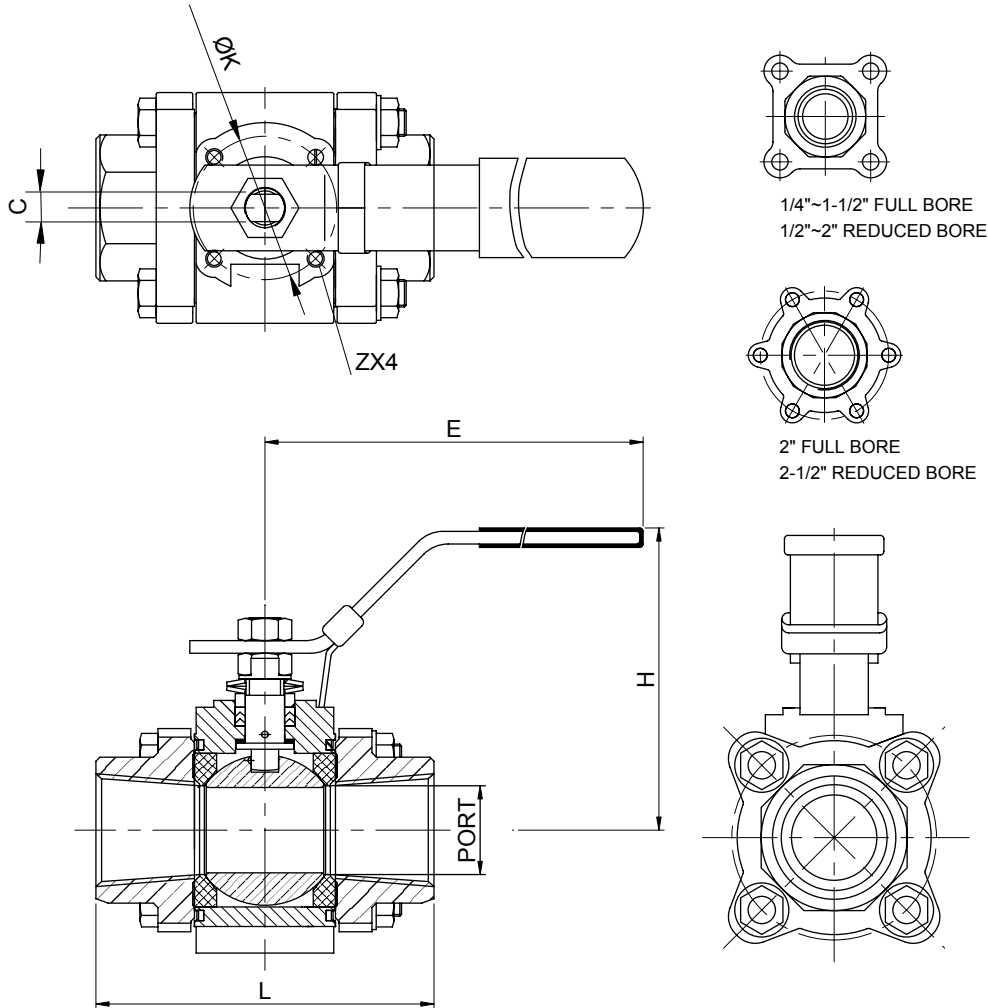
APPLICABLE STANDARDS	
Body Wall Thickness	ASME B16.34
Socket-weld Ends	ASME B16.11
Threaded Ends	ANSI B1.20.1 BS 21 DIN 2999 ISO 228 ISO7-1
Butt-weld Ends	ASME B16.25
End to End	Mfg. Std.
Material	ASTM
Pressure-Temperature Rating	ASME B16.34
Pressure Testing	API 598

### MATERIALS LIST

NO.	PART NAME	MATERIAL
1	BODY	ASTM A351 Gr. CN7M ASTM A351 Gr. CK-3MCuN (1.4547 X1NiCrMoCuN2506) ASTM A351 Gr. CN-3MN (1.4529 X1NiCrMoCuN25206)
4	BALL	ASTM A351 Gr. CN7M ASTM A351 Gr. CK-3MCuN (1.4547 X1NiCrMoCuN2506) ASTM A351 Gr. CN-3MN (1.4529 X1NiCrMoCuN25206)
9	END CAP	ASTM A351 Gr. CN7M ASTM A351 Gr. CK-3MCuN (1.4547 X1NiCrMoCuN2506) ASTM A351 Gr. CN-3MN (1.4529 X1NiCrMoCuN25206)
11	BODY SEAL	PTFE
5	STEM	ASTM A351 Gr. CN7M ASTM A351 Gr. CK-3MCuN (1.4547 X1NiCrMoCuN2506) ASTM A351 Gr. CN-3MN (1.4529 X1NiCrMoCuN25206)
32	FOLLOWER	SS304
14	STEM PACKING	MG1241
19	HANDLE	SS304
12	SEAT	PTFE. RTFE, (PTFE. +15%GF) PEEK. Delrin 50% S.S. + 50% PTFE.
13	THRUST WASHER	PTFE PEEK.
21	HANDLE COVER	PLASTIC
24	HANDLE NUT	SS304
28	LOCKING PAD	SS304
22	STEM NUT	SS304
30	TAB WASER	SS304
37	BOLT NUT	SS304
35	BOLT	SS304
29	BELLEVILLE WASHER	SS301
33	STOP PIN	SS304
36	BOLT WASHER	SS304

\*Further information for fire safe type, please kindly contact us.

**Fig No: V-255A Reduced Bore**  
**1/2"~ 2-1/2" DN15 ~ DN65**



**DIMENSIONS**

unit:mm

SIZE	PORT	L	E	H	C	ØK	Z
1/2"	10.0	64.8	134.0	63.8	6.5	F03	M5
						36.0	
3/4"	15.0	72.5	134.0	72.0	6.5	F03	M5
						36.0	
1"	20.0	85.4	134.0	76.4	6.5	F03	M5
						36.0	
1-1/4"	25.0	105.3	170.0	83.0	8.0	F04	M5
						42.0	
1-1/2"	32.0	111.0	170.0	88.0	8.0	F04	M5
						42.0	
2"	38.0	127.3	207.0	104.2	9.7	F05	M6
						50.0	
2-1/2"	50.0	145.0	207.0	121.6	9.7	F05	M6
						50.0	

PS: 1/2"~1-1/4" 2000 WOG BALL VALVE

1-1/2"~2 1/2" 1500 WOG BALL VALVE