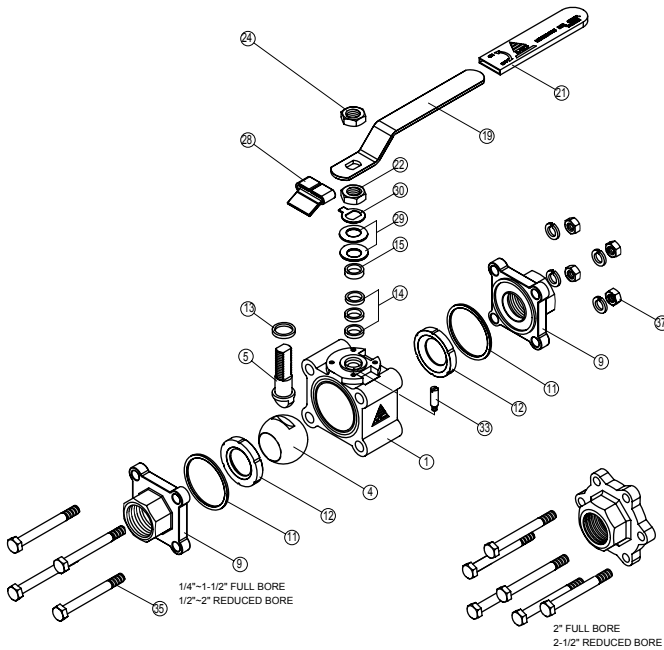




Three Piece Ball Valves, Full Bore, 2000/1500 psi Monel 400 Material

Fig No: V-255 Full Bore
1/4" ~ 2" DN8 ~ DN50



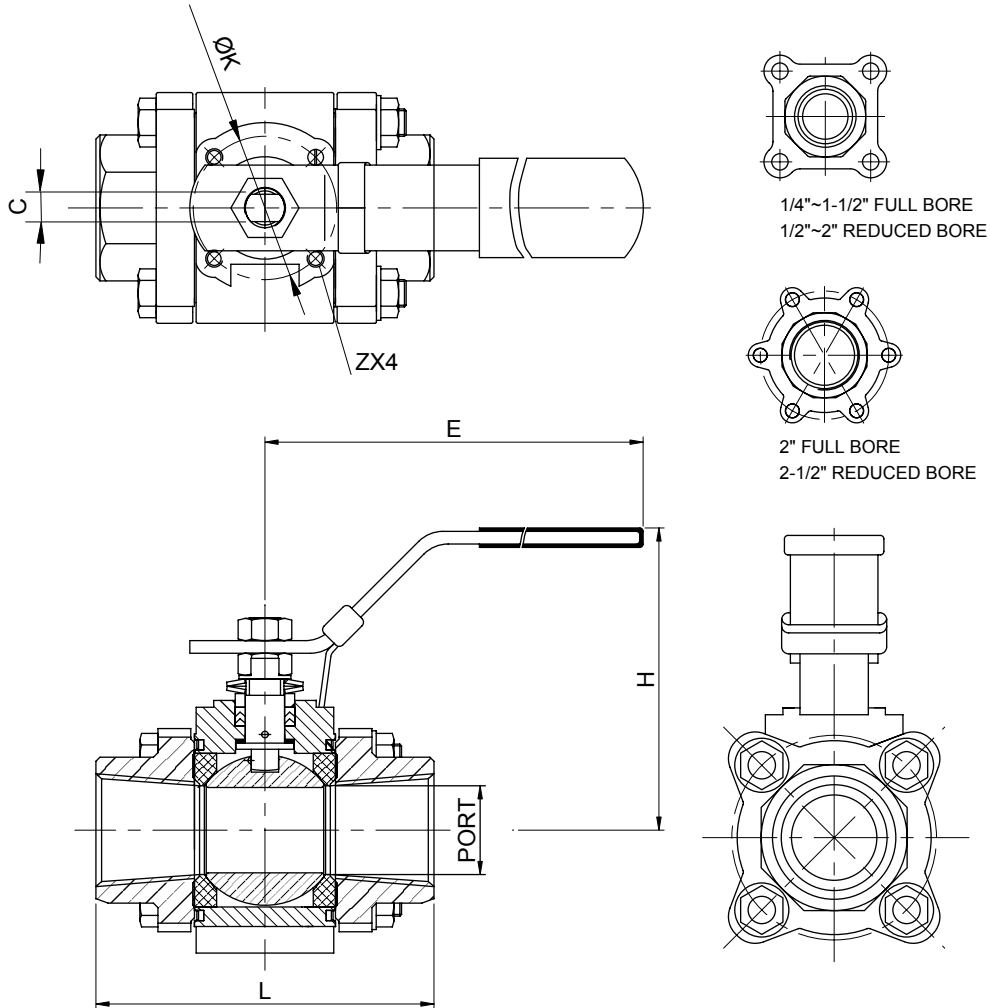
APPLICABLE STANDARDS	
Body Wall Thickness	ASME B16.34
Socket-weld Ends	ASME B16.11
Threaded Ends	ANSI B1.20.1 BS 21 DIN 2999 ISO 228 ISO7-1
Butt-weld Ends	ASME B16.25
End to End	Mfg. Std.
Material	ASTM
Pressure-Temperature Rating	ASME B16.34
Pressure Testing	API 598

MATERIALS LIST

NO.	PART NAME	MATERIAL
1	BODY	ASTM 494 Gr.M30C
4	BALL	ASTM 494 Gr.M30C
9	END CAP	ASTM 494 Gr.M30C
11	BODY SEAL	PTFE
5	STEM	ASTM 494 Gr.M30C
32	FOLLOWER	SS304
14	STEM PACKING	MG1241
19	HANDLE	SS304
12	SEAT	PTFE. RTFE.(PTFE.+15%GF) PEEK. Delrin 50% S.S. + 50% PTFE.
13	THRUST WASHER	PTFE PEEK.
21	HANDLE COVER	PLASTIC
24	HANDLE NUT	SS304
28	LOCKING PAD	SS304
22	STEM NUT	SS304
30	TAB WASER	SS304
37	BOLT NUT	SS304
35	BOLT	SS304
29	BELLEVILLE WASHER	SS301
33	STOP PIN	SS304
36	BOLT WASHER	SS304

*Further information for fire safe type, please kindly contact us.

Fig No: V-255 Full Bore
1/4"~ 2" DN8 ~ DN50



DIMENSIONS

unit:mm

SIZE	PORT	L	E	H	C	ØK	Z
1/4"	10.0	64.8	134.0	64.0	6.5	F03 36.0	M5
3/8"	10.0	64.8	134.0	64.0	6.5	F03 36.0	M5
1/2"	15.0	72.5	134.0	72.0	6.5	F03 36.0	M5
3/4"	20.0	85.4	134.0	76.4	6.5	F03 36.0	M5
1"	25.0	105.3	170.0	83.0	8.0	F04 42.0	M5
1-1/4"	32.0	111.0	170.0	88.0	8.0	F04 42.0	M5
1-1/2"	38.0	127.3	207.0	104.2	9.7	F05 50.0	M6
2"	50.0	145.0	215.0	133.0	9.7	F05 50.0	M6

PS: 1/4"~1" 2000 WOG BALL VALVE 1-1/4"~2" 1500 WOG BALL VALVE