

**Fig No: V-83HP Reduced Bore**  
1/2" ~ 2" DN8 ~ DN50



**Features :**

ISO 5211 Direct-Mounting Of Actuators OF Valves Design  
One Piece Body , Economy Design  
Investment Cast Components  
Blow-Out-Proof Stem Design  
Bottom Entry Stem  
For Food , General Chemical and Industrial Application.  
Carbon Steel or Special Alloy Upon Request

**Standard Compliance :**

ASTM ASME B16.34 API 598 EN 10213 EN 12516 EN 12266  
ANSI B 1.20.1(NPT) BS21(BSPP) BS21(BSPT) ISO 228-1  
DIN 2999

**Specifications:**

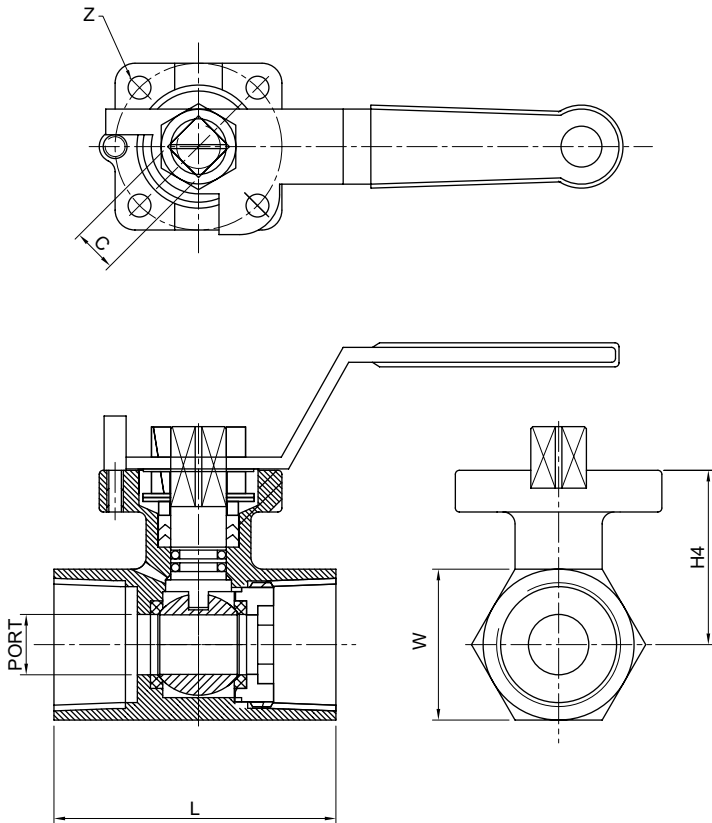
End Connection : Threaded End  
Working Pressure : 800 psi / 40 Bar ( CWP )  
Temperature Range : - 4 to 356°F / - 20 to 180°C  
Pressure test According to API 598 or EN 12266

**Options :**

Locking Device Handle

**MATERIALS LIST**

NO.	PARTS	MATERIAL	QTY
1	BODY	ASTM A351 GR. CF8M	1
4	BALL	ASTM A351 GR. CF8M	1
5	STEM	SS316	1
9	INSERT	SS316	1
11	BODY SEAL	PTFE.	1
12	SEAT	PTFE.	2
13	THRUST WASHER	PTFE.	1
14	STEM PACKING	PTFE.	1
15	GLAND BUSH	SS304	1
19	HANDLE	SS316	1
21	HANDLE COVER	PLASTIC	1
22	STEM NUT	SS304	2
29	BELLEVILLE WASHER	SS304	2
31	O-RING	VITON	1
33	STOP PIN	SS304	1



**DIMENSIONS**

unit: mm

SIZE	PORT	L	H4	C	W	Z	ISO-5211
1/2"	9.2	56.5	42.3	9.0	25.0	M5	F03
3/4"	12.5	59.0	44.8	9.0	32.0	M5	F03
1"	16.0	71.0	43.9	11.0	38.0	M5	F04
1 1/4"	20.0	79.2	51.5	11.0	49.0	M5	F04
1 1/2"	25.0	85.9	57.7	14.0	53.0	M6	F05
2"	32.0	100.0	63.3	14.0	65.0	M6	F05

