



# Automation Valve Accessories

## Namur Type Solenoid Valve

### Specifications

Media :	Air filtered / lubricated or dry
Operating Pressure	170.6 psi (11.8 bar)
Ambient Temperature Range :	41 F to 140 F (5 C to 60 C)

PORT SIZE	Catalog Number
1/4" PT	4M310-08
3/8" PT	4M310-10

### Constructions

Body :	ALUMINUM
Internal Parts :	S stainless steel light alloy and CA
Seals :	NBR
Available Configurations :	5/2 or 5/3 single solenoid pilot

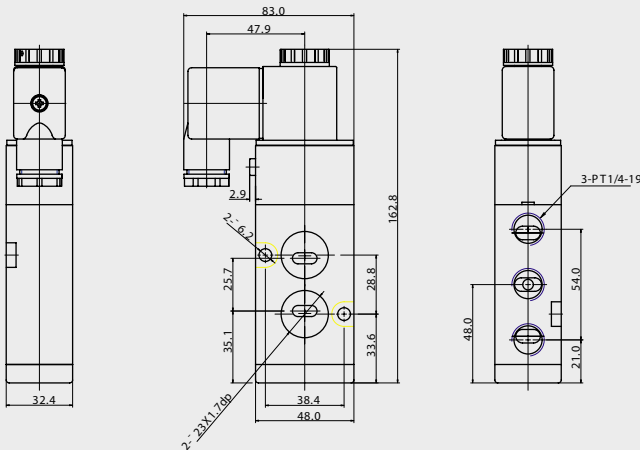


FIG NO : 4M310-08  
FIG NO : 4M310-10



FIG NO : 4M310-08E  
FIG NO : 4M310-10E

Dimensions TYPE : 4M310-08 (mm)



Dimensions TYPE : 4M310-10 (mm)

