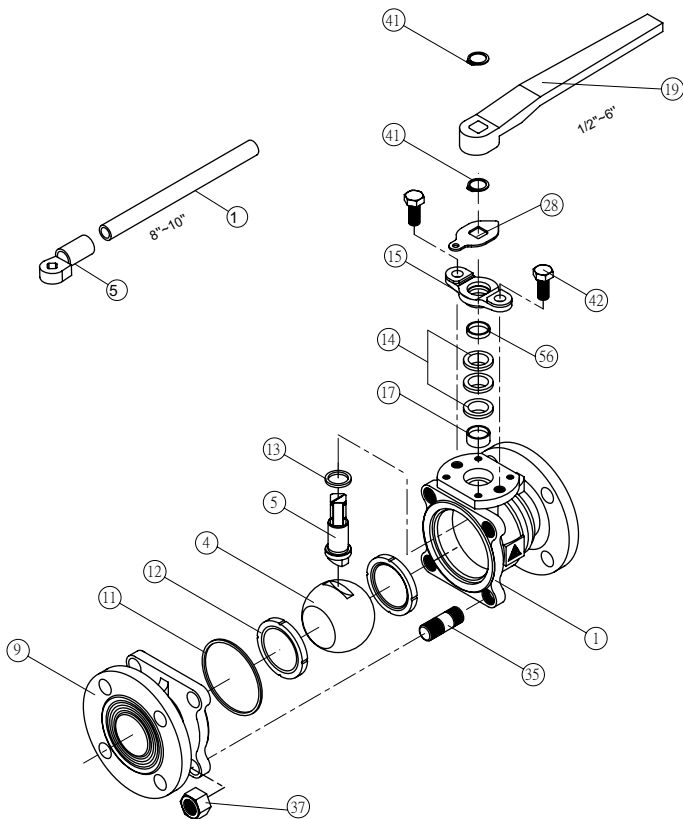


Fig No: MD-52-PN16 Full Bore
1/2"~ 10" DN15 ~ DN250



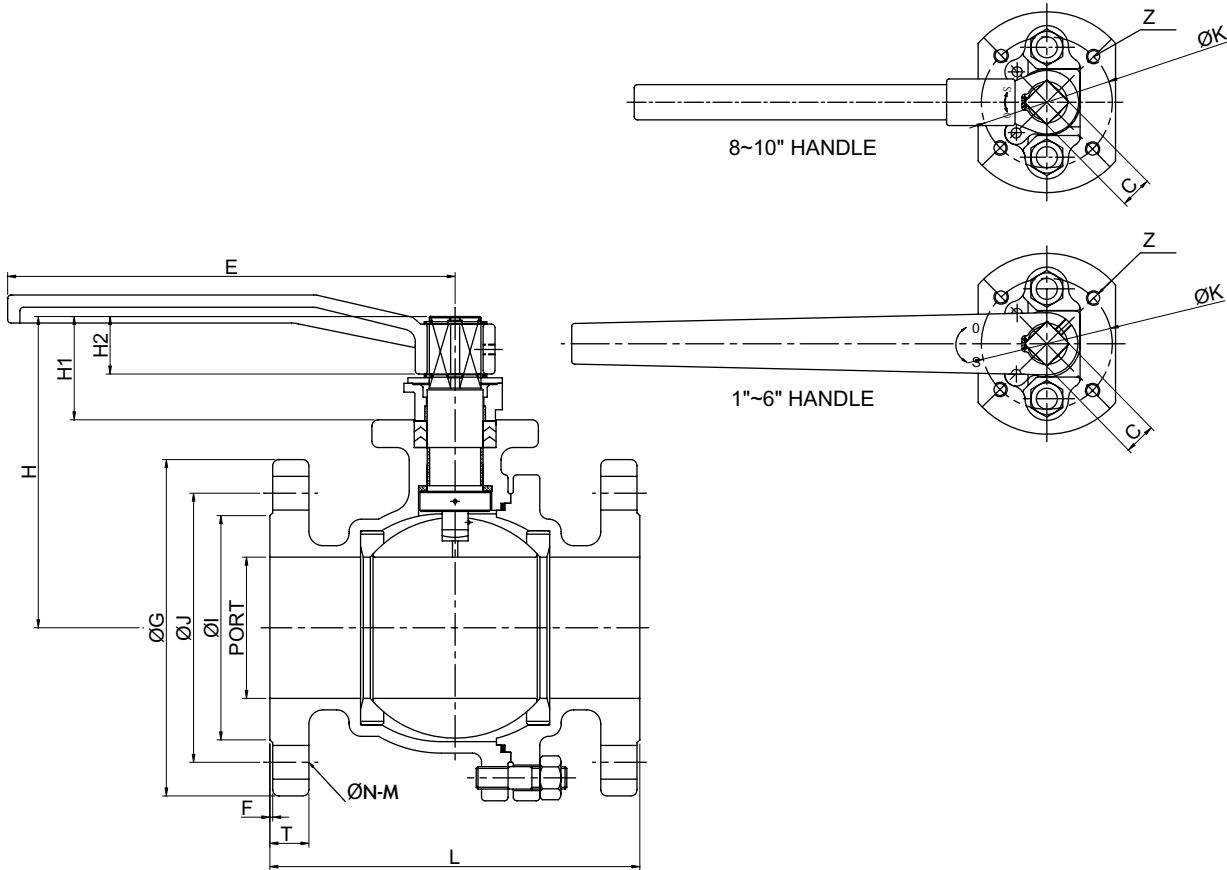
APPLICABLE STANDARDS	
Body Wall Thickness	EN 12516
Flange Dimensions	EN 1092
Face to Face	EN 558-1
Material	EN 1503-1
Pressure-Temperature Rating	EN 12516-1
Pressure Testing	EN 12266-1

MATERIALS LIST

NO.	PART NAME	MATERIAL
1	BODY	ASTM 494 Gr.M30C
4	BALL	ASTM 494 Gr.M30C
9	END CAP	ASTM 494 Gr.M30C
11	BODY SEAL	PTFE.
5	STEM	ASTM 494 Gr.M30C
14	STEM PACKING	PTFE.
19	HANDLE	ASTM A536 Gr. 65-45-12 (FCD45)
12	SEAT	PTFE. RTFE.(PTFE.+15%GF) PEEK. Delrin 50% S.S. + 50% PTFE.
13	THRUST WASHER	PTFE. PEEK.
17	STEM BUSHING	PTFE.
15	GLAND	ASTM A351 Gr. CF8
56	GLAND WASHER	PTFE.
28	STOP PLATE	SS304
37	NUT	ASTM A194 Gr.8
35	STUD	ASTM A193 Gr.B8
42	BOLT	SS304
41	SNAP RING	SS304

*Further information for fire safe type, please kindly contact us.

Fig No: MD-52-PN16 Full Bore
1/2"~ 10" DN15 ~ DN250



DIMENSIONS

unit: mm

DN	PORT	L		E	H	C	ØG	ØJ	ØI	T	F	M	ØN	ØK	Z
		F4	F5												
DN15	15.0	115.0		130.8	65.7	11.0	95.0	65.0	45.0	16.0	2.0	4	14.0	42.0 F04	1/4"-20
DN20	20.0	120.0		130.8	68.2	11.0	105.0	75.0	58.0	16.0	2.0	4	14.0	42.0 F04	1/4"-20
DN25	25.0	125.0		160.0	86.0	14.0	115.0	85.0	68.0	16.0	2.0	4	14.0	50.0 F05	1/4"-20
DN32	32.0	130.0		160.0	91.0	14.0	140.0	100.0	78.0	16.0	2.0	4	18.0	50.0 F05	1/4"-20
DN40	40.0	140.0		200.0	119.0	17.0	150.0	110.0	88.0	16.0	3.0	4	18.0	70.0 F07	5/16"-8
DN50	50.0	150.0		200.0	127.0	17.0	165.0	125.0	102.0	18.0	3.0	4	18.0	70.0 F07	5/16"-8
DN65	65.0	170.0		200.0	136.0	17.0	185.0	145.0	122.0	18.0	3.0	4	18.0	70.0 F07	5/16"-8
DN80	80.0	180.0		325.0	164.0	22.0	200.0	160.0	138.0	20.0	3.0	8	18.0	102.0 F10	3/8"-16
DN100	100.0	190.0		325.0	178.0	22.0	220.0	180.0	158.0	20.0	3.0	8	18.0	102.0 F10	3/8"-16
DN125	125.0		325.0	760.0	220.0	27.0	250.0	210.0	188.0	22.0	3.0	8	18.0	125.0 F12	3/8"-16
DN150	150.0		350.0	760.0	259.0	27.0	285.0	240.0	212.0	22.0	3.0	8	22.0	125.0 F12	1/2"-13
DN200	200.0		400.0	1000.0	300.0	38.0	340.0	295.0	268.0	24.0	3.0	12	22.0	140.0 F14	5/8"-11
DN250	250.0		450.0	1000.0	355.0	46.0	405.0	350.0	320.0	26.0	3.0	12	26.0	165.0 F16	3/4"-10