

Fig No. K-311L Standard Bore
1/4" ~ 2" DN8 ~ 50



Features :

- Investment Casting
- Blow-out-proof stem, Two seat design
- 360 degree rotation design
- For Chemical, Industrial Application
- Carbon Steel or Super Alloy upon request

Standard Compliance :

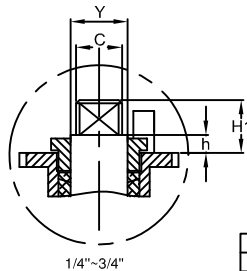
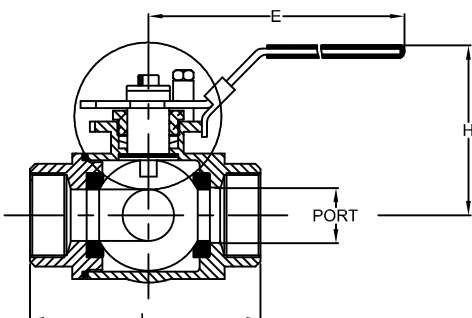
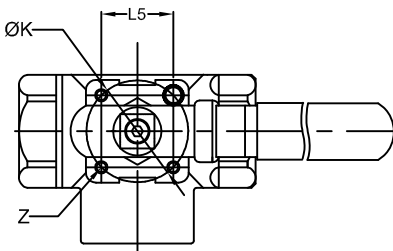
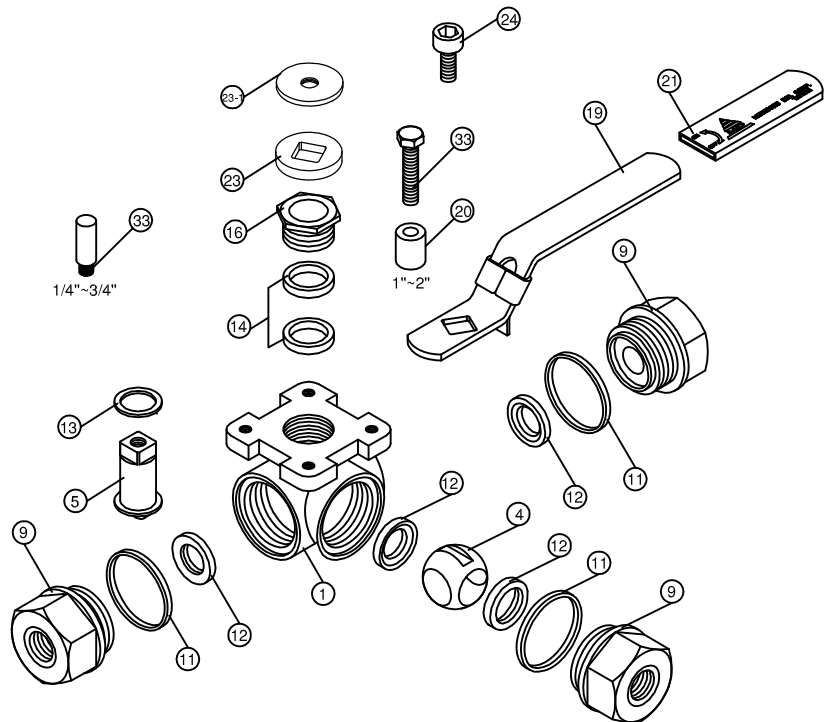
- Body wall thickness : EN 12516-1/3
- Threaded end : BS 21 (BSP)
- BSPT
- ISO 228-1G
- DIN 2999
- ISO 7-1Rp
- Face to Face : MD's standard
- Body material : EN1503-1
- Pressure testing : EN 12266

Specification :

- End connection : Threaded end
- Working pressure : 61.2 bar (RT)
- Temperature : -20 to 180° C

MATERIALS LIST

NO.	PART NAME	MATERIAL
1	BODY	1.4408/EN1503-1
4	BALL	ASTM A351 Gr.CF8M
5	STEM	SS316
9	END CAP	1.4408/EN1503-1
11	BODY SEAL	PTFE.
12	SEAT	PTFE.
13	THRUST WASHER	PTFE.
14	STEM PACKING	PTFE.
16	GLAND NUT	SS304
19	HANDLE	SS304
20	SET SCREW	SS304
21	HANDLE COVER	PLASTIC
23	WAHSER	SS304
23-1	WAHSER	SS304
24	HANDLE NUT	SS304
33	STOP PIN	SS304



DIMENSIONS

SIZE	PORT	L	L5	E	H	H1	h	C	ØY	ØK	Z	unit:mm
DN8	1/4"	11.0	57.2	25.0	133.0	62.7	11.0	6.0	9.0	12.0	36.0	M5*0.8
DN10	3/8"	11.0	57.2	25.0	133.0	62.7	11.0	6.0	9.0	12.0	36.0	M5*0.8
DN15	1/2"	12.5	66.0	25.0	133.0	64.7	11.0	6.0	9.0	12.0	36.0	M5*0.8
DN20	3/4"	16.0	77.0	25.0	133.0	67.7	11.0	6.0	9.0	12.0	36.0	M5*0.8
DN25	1"	20.0	88.0	29.0	133.0	71.2	11.0	6.0	9.0	12.0	42.0	M5*0.8
DN32	1-1/4"	25.4	103.0	35.5	178.5	88.7	23.5	8.0	11.0	15.0	50.0	M6*1.0
DN40	1-1/2"	31.8	111.0	35.5	178.5	93.7	23.5	8.0	11.0	15.0	50.0	M6*1.0
DN50	2"	38.1	136.0	35.5	178.5	98.2	23.5	8.0	11.0	15.0	50.0	M6*1.0