

**Fig no. HPV-41AT Reduced Bore**  
**1/4" ~ 2" DN 8- DN 50**



**Features :**

Bar material ball valve, ISO 5211 Mounting Flange  
 Blow out proof stem, Anti-static design  
 360 degree rotation design  
 For Chemical, Industrial Application, In-line Maintenance  
 Super Alloy upon request

**Standard Compliance :**

Body wall thickness : EN 12516-1/2  
 Threaded end : BS 21 (BSP)  
 BSPT  
 ISO 228-1G  
 DIN 2999  
 ISO 7-1Rp

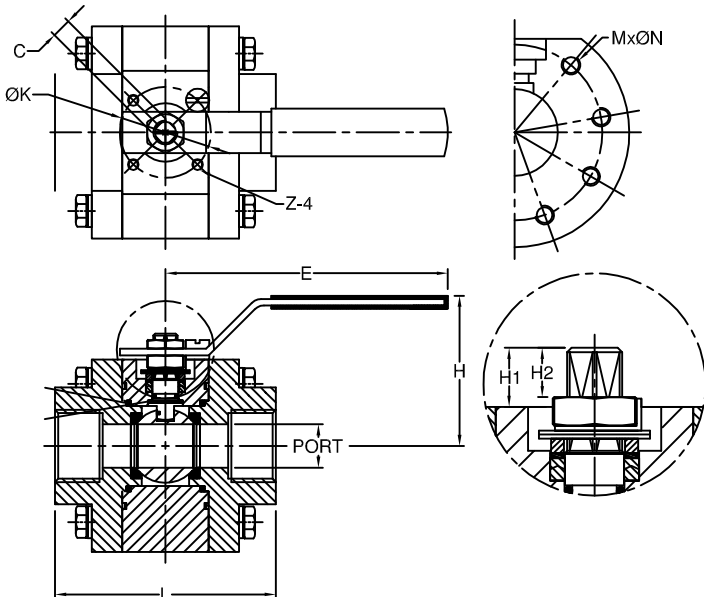
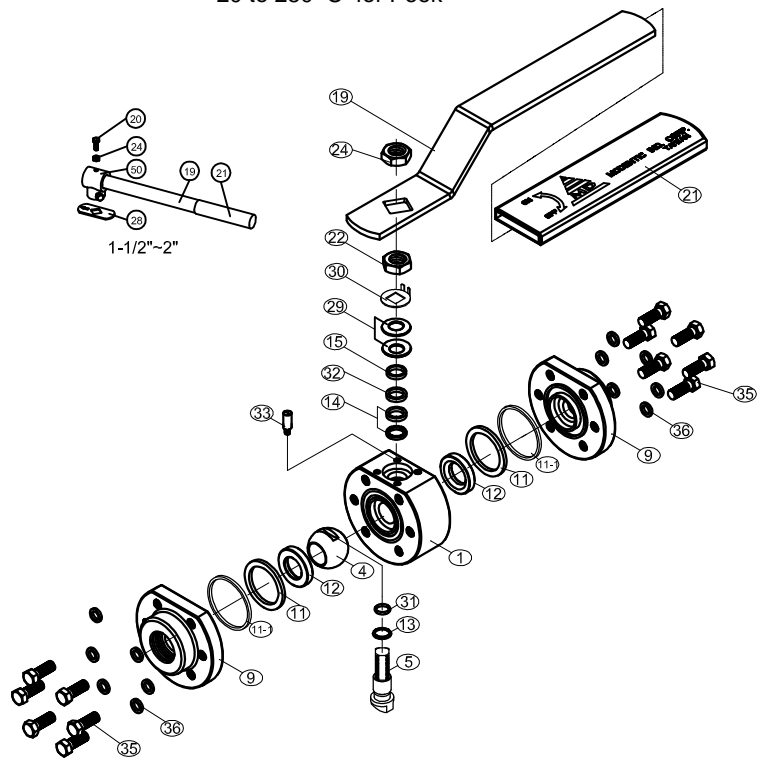
Face to Face : MD's standard  
 Body material : EN 1503-1  
 Pressure testing : EN 12266

**Specification :**

End connection : Threaded end  
 Working Pressure : 420 bar ( CWP )  
 Temperature : -20 to 80°C for Delrin  
 -20 to 250°C for Peek

**MATERIALS LIST**

| NO.  | PART NAME         | MATERIAL          |
|------|-------------------|-------------------|
| 1    | BODY              | 1.4401/EN1503-1   |
| 4    | BALL              | ASTM A351 Gr.CF8M |
| 5    | STEM              | 17-4PH            |
| 9    | END CAP           | 1.4401/EN1503-1   |
| 11   | BODY SEAL         | DELTRIN/GRAPHITE  |
| 11-1 | BODY SEAL         | PTFE.             |
| 12   | SEAT              | DELTRIN/PEEK      |
| 13   | THRUST WASHER     | DELTRIN/PEEK      |
| 14   | STEM PACKING      | PTFE.+25%C.F.     |
| 15   | GLAND BUSH        | SS304             |
| 19   | HANDLE            | SS304             |
| 20   | SET SCREW         | SS304             |
| 21   | HANDLE COVER      | PLASTIC           |
| 22   | STEM NUT          | SS304             |
| 24   | HANDLE NUT        | ASTM A2 70        |
| 28   | STOP PLATE        | SS304             |
| 29   | BELLEVILLE WASHER | SS304-CSP         |
| 30   | TAB WASHER        | SS304             |
| 31   | O-RING            | VITON             |
| 32   | PACKING FOLLOWER  | TFM1600           |
| 33   | STOP PIN          | SS304             |
| 35   | BODY BOLT         | ASTM A2 70        |
| 36   | BOLT WASHER       | SS304             |
| 50   | STEM ADAPTER      | SS304             |



**DIMENSIONS**

| SIZE | PORT   | L    | E     | H     | H1    | H2    | C    | M    | ØN | ØK          | Z    |    |
|------|--------|------|-------|-------|-------|-------|------|------|----|-------------|------|----|
| DN8  | 1/4"   | 9.5  | 85.0  | 151.0 | 61.0  | 10.1  | 7.0  | 9.0  | 6  | 5/16"-18UNC | 36.0 | M5 |
| DN10 | 3/8"   | 11.6 | 85.0  | 151.0 | 61.0  | 10.1  | 7.0  | 9.0  | 6  | 5/16"-18UNC | 36.0 | M5 |
| DN15 | 1/2"   | 12.5 | 85.0  | 151.0 | 61.0  | 10.1  | 7.0  | 9.0  | 6  | 5/16"-18UNC | 36.0 | M5 |
| DN20 | 3/4"   | 16.0 | 89.0  | 151.0 | 67.0  | 14.85 | 10.3 | 9.0  | 8  | 5/16"-18UNC | 42.0 | M5 |
| DN25 | 1"     | 20.0 | 102.0 | 183.0 | 81.0  | 12.0  | 10.0 | 9.0  | 8  | 5/16"-18UNC | 42.0 | M5 |
| DN32 | 1-1/4" | 25.0 | 111.0 | 183.0 | 97.0  | 22.3  | 11.5 | 11.0 | 8  | 5/16"-18UNC | 42.0 | M5 |
| DN40 | 1-1/2" | 32.0 | 119.0 | 285.0 | 113.0 | 33.2  | 17.5 | 14.0 | 8  | 3/8"-16UNC  | 50.0 | M6 |
| DN50 | 2"     | 38.0 | 126.0 | 285.0 | 117.0 | 28.0  | 17.5 | 14.0 | 8  | 1/2"-13UNC  | 50.0 | M6 |