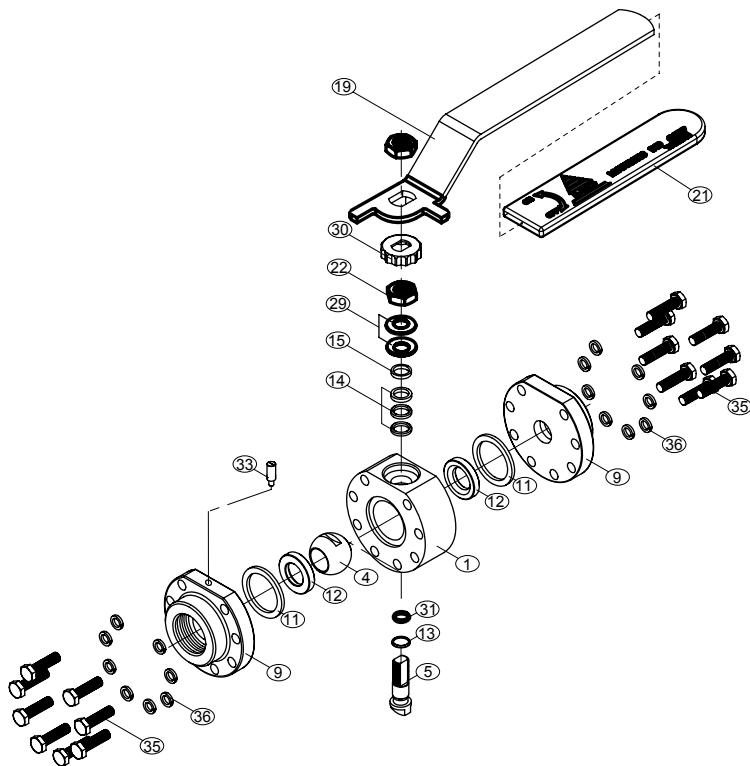


Fig No: HPV41 Reduced Bore  
 1/4"~ 2" DN8 ~ DN50

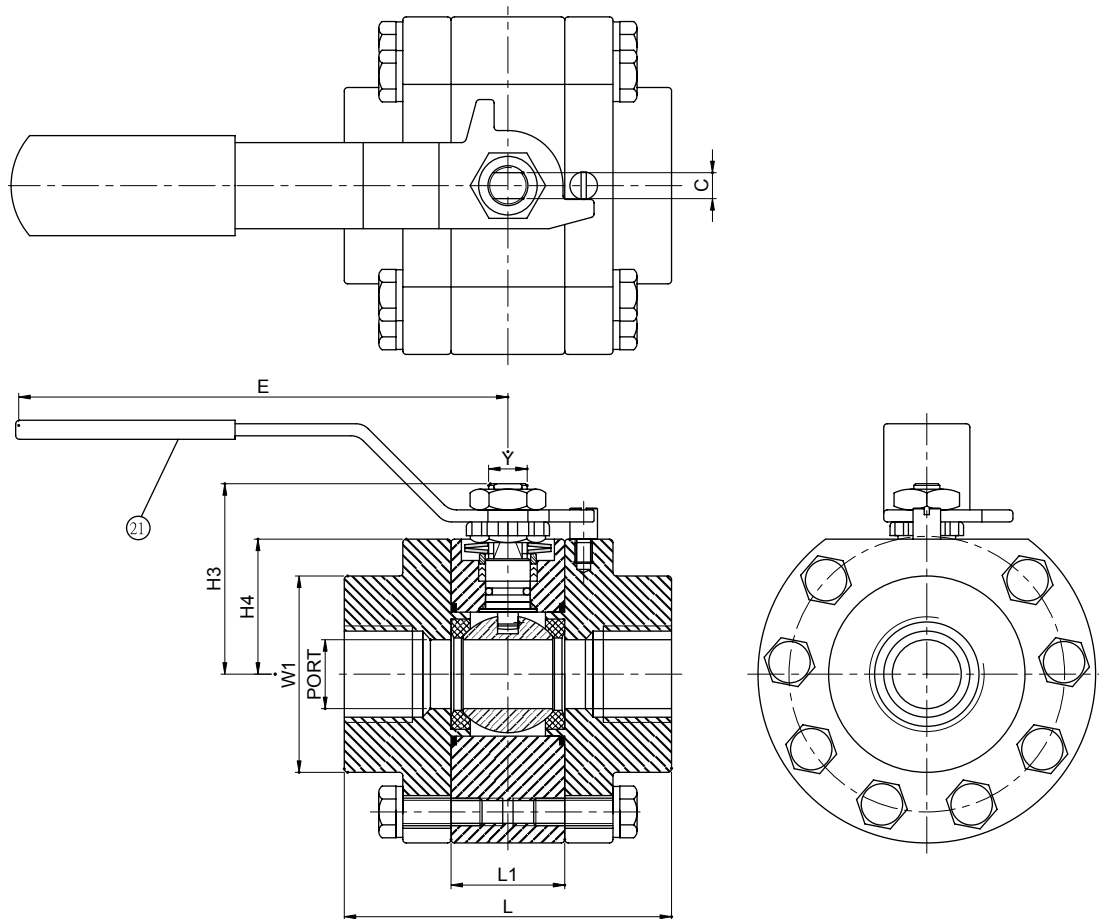


| APPLICABLE STANDARDS          |                          |
|-------------------------------|--------------------------|
| Body Wall Thickness           | ASME B16.34              |
| Threaded End                  | BS 21                    |
|                               | BS 21(BSP)               |
|                               | ISO 228-1G               |
|                               | DIN 2999                 |
| Socket End                    | ASME B16.34; ASME B16.11 |
| Butt Weld End                 | ASME B16.25              |
| Face to Face                  | Mfg. Std                 |
| Material                      | ASME B16.34              |
| Pressure - Temperature Rating | ASME B16.34              |
| Pressure Teating              | API 598                  |

**MATERIAL LIST**

| NO. | PART NAME         | MATERIAL                       |
|-----|-------------------|--------------------------------|
| 1   | BODY              | UNS-NO4400                     |
| 4   | BALL              | UNS-NO4400                     |
| 11  | BODY SEAL         | Delrin<br>PEEK                 |
| 9   | END CAP           | UNS-NO4400                     |
| 5   | STEM              | UNS-NO4400                     |
| 14  | STEM PACKING      | PTFE-25% Carbon Filled<br>PEEK |
| 19  | HANDLE            | SS304                          |
| 12  | SEAT              | Delrin<br>PEEK                 |
| 13  | THRUST WASHER     | Delrin<br>PEEK                 |
| 15  | GLAND BUSH        | S304                           |
| 21  | LEVER COVER       | PLASTIC                        |
| 22  | NUT               | S304                           |
| 26  | PLUNGER SPRING    | S316                           |
| 27  | ANTI-STATIC BALL  | S316                           |
| 29  | BELLEVILLE WASHER | S304                           |
| 30  | CROWN WASHER      | S304                           |
| 31  | STEM O-RING       | VITON                          |
| 33  | LEVER STOP        | S304                           |
| 35  | BOLT              | A193 Gr.B8                     |
| 36  | BOLT WASHER       | SS304                          |

Fig No: HPV41 Reduced Bore  
 1/4" ~ 2" DN8 ~ DN50



**DIMENSIONS**

unit:mm

| SIZE   | PORT | L     | L1   | E     | H3   | H4   | C    | Y         | W1    |
|--------|------|-------|------|-------|------|------|------|-----------|-------|
| 1/4"   | 9.7  | 75.0  | 25.0 | 142.0 | 42.0 | 29.0 | 5.54 | 3/8" UNF  | 76.0  |
| 3/8"   | 11.6 | 75.0  | 25.0 | 142.0 | 42.0 | 29.0 | 5.54 | 3/8" UNF  | 76.0  |
| 1/2"   | 12.5 | 75.0  | 25.0 | 142.0 | 42.0 | 29.0 | 5.54 | 3/8" UNF  | 76.0  |
| 3/4"   | 15.0 | 85.0  | 33.0 | 142.0 | 48.3 | 35.0 | 5.54 | 3/8" UNF  | 84.0  |
| 1"     | 20.0 | 95.0  | 33.0 | 162.0 | 54.0 | 39.2 | 7.54 | 7/16" UNF | 98.0  |
| 1-1/4" | 25.0 | 108.0 | 41.0 | 162.0 | 57.6 | 42.8 | 7.54 | 7/16" UNF | 107.0 |
| 1-1/2" | 32.0 | 128.0 | 50.0 | 200.0 | 73.0 | 51.5 | 8.68 | 9/16" UNF | 130.0 |
| 2"     | 38.0 | 156.0 | 56.0 | 200.0 | 79.0 | 57.5 | 8.68 | 9/16" UNF | 146.0 |