

Fig no. GTF-300

1/2" - 4" DN15- DN100



Features:

- Flexible wedge,
- OS & Yoke design, Body Bolted type
- Rising stem design, Non rising handwheel
- Integral seat
- For General Chemical and Industrial application

Standard Compliance :

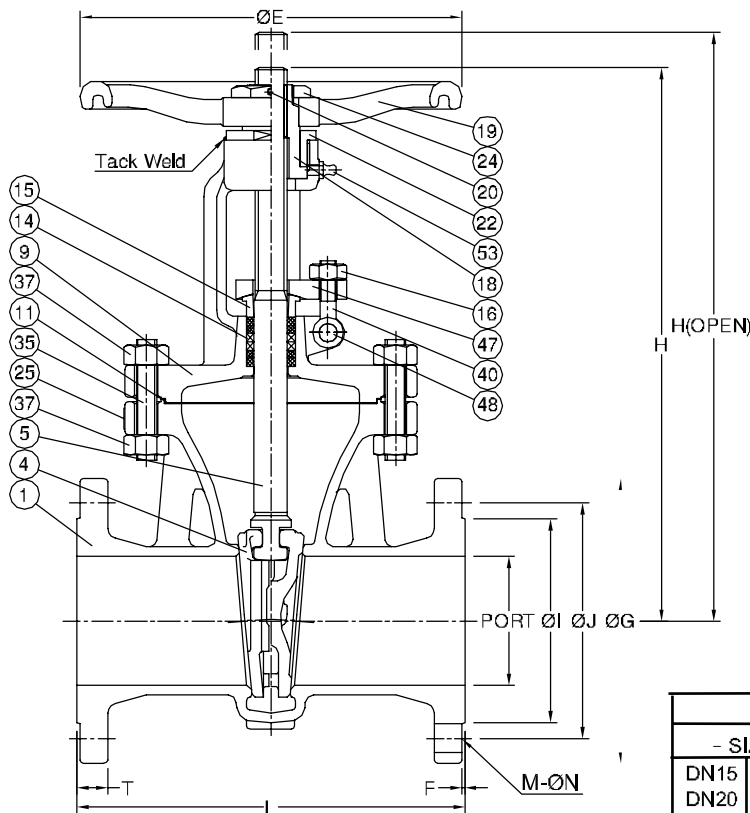
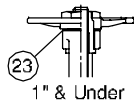
- Design per API 603
- Body wall thickness : ANSI B16.34
- Face to face : ANSI B16.10 class 300
- Flange dimension : ANSI B16.5 class 300 RF
- Body material : A351 CG8M
- Pressure testing : EN 12266-1/ API 598

Specification :

- End connection : Flange end
- Working pressure : 720 psi (CWP)
- Temperature : -20 ~ 180 C

Options :

- Gasket/ stem packing to be Graphite
- Flange face smooth finished



MATERIALS LIST

NO.	NAME PARTS	MATERIALS
1	BODY	ASTM A351 Gr.CG8M
4	WEDGE	ASTM A351 Gr.CG8M (FLEXIBLE WEDGE)
5	STEM	ASTM A276 Gr.317
9	BONNET	ASTM A351 Gr.CG8M
11	GASKET	S.S SPIRAL WOUND+PTFE.
14	PACKING	PTFE.
15	GLAND	ASTM A351 Gr.CG8M
16	EYE BOLT NUT	ASTM A194 Gr.8 (HEAVY)
18	SLEEVE	ASTM A394 Gr.D2C (1-1/2" ~ 6")
19	HANDWHEEL	ASTM A536 DUCTILE IRON
20	SET SCREW	ASTM A193 Gr.B8
22	STEM NUT	ASTM A351 Gr.CF8
23	WASHER	ASTM A276 Gr.304 (1" UNDER)
24	HANDWHEEL NUT	ASTM A351 Gr.CF8
25	NAME PLATE	ASTM A666-304
35	BONNET STUD	ASTM A193 Gr.B8 CLASS 2
37	BONNET NUT	ASTM A194 Gr.8 (HEAVY)
40	EYE BOLT	ASTM A193 Gr.B8
47	GLAND FLANGE	ASTM A351 Gr.CF8
48	EYE BOLT PIN	ASTM A276 Gr.304
53	GREASE FITTING	ANSI 304 (1-1/2" ABOVE)

DIMENSIONS

- SIZE	PORT	L	φE	H	H(OOPEN)	φG	φJ	φI	T	
DN15	1/2"	15.0	139.7	100.1	182.9	200.9	95.3	66.5	35.1	14.2
DN20	3/4"	19.1	152.4	100.1	201.9	225.0	117.3	82.6	42.9	15.7
DN25	1"	25.4	165.1	150.1	239.0	268.0	124.0	88.9	50.8	17.5
DN40	1-1/2"	38.1	190.5	199.9	268.0	310.9	155.4	114.3	73.2	20.6
DN50	2"	50.8	215.9	199.9	301.0	359.9	165.1	127.0	91.9	22.4
DN65	2-1/2"	63.5	241.0	199.9	334.0	406.9	190.5	149.4	104.9	25.4
DN80	3"	79.0	282.7	300.0	368.0	454.9	209.6	168.1	127.0	28.4
DN100	4"	101.6	304.8	300.0	436.1	547.9	254.0	200.2	157.2	31.8