

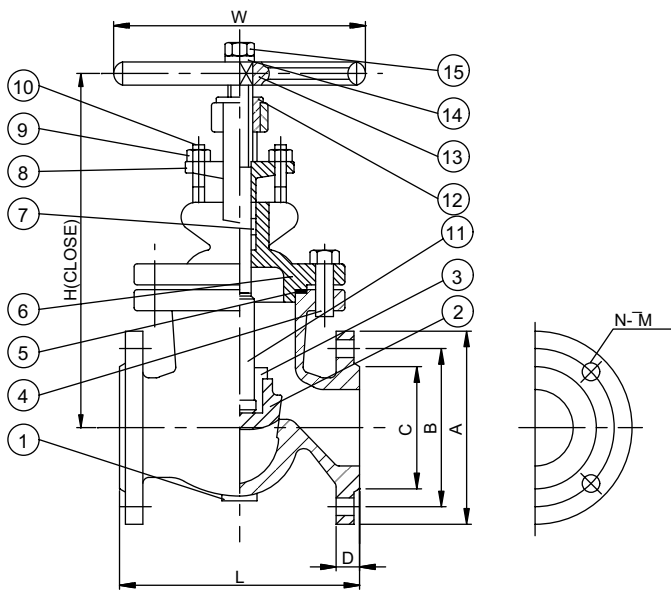
**Fig No:GBF-PN16 1/2"~12"**  
**DN15~DN300**

**Features:**

- Conical seat, or seat design
- Round Bonnet with Integral York.
- Outside Screw and Yoke, Rising stem design
- 2" and larger integral Stellite seat face available for longer service life (option)
- Seat face stellite, ground and lapped to a mirror finish, conical seat machined to 8 RMS
- Body and Bonnet joint accurately machined, Full enclosed gasket

**Standard compliance:**

- Valve design according to API 603, BS 1873
- Shell wall Thickness according to EN 12516-1
- Pressure-temperature rating according to EN 12516-1
- Material according to EN 1503-1
- Face to Face according to EN 558-1
- Flanged dimension according to EN 1092
- Pressure testing according to EN 12266



**MATERIAL LIST**

NO	PART NAME	MATERIAL
1	BODY	1.4408 / EN 1503-1
2	DISC	1.4408 / EN 1503-1
3	LOCK NUT	SS316
4	BOLT	SS304
5	GASKET	PTFE.
6	BONNET	1.4408 / EN 1503-1
7	STEM PACKING	PTFE.
8	GLAND PACKING	SS316
9	NUT	SS304
10	BOLT	SS304
11	STEM	SS316
12	YOKE BUSH	BRONZE
13	HAND WHELL	DUCTILE IRON
14	WASHER	SS304
15	HANDLE NUT	SS304

Other Other Also Available On Requested

**DIMENSIONS**

unit:mm

SIZE	1/2"	3/4"	1"	1-1/4"	1-1/2"	2"	2-1/2"	3"	4"	5"	6"	8"	10"	12"
	DN15	DN20	DN25	DN32	DN40	DN50	DN65	DN80	DN100	DN125	DN150	DN200	DN250	DN300
L	130.0	150.0	160.0	180.0	200.0	230.0	290.0	310.0	350.0	400.0	480.0	500.0	600.0	700.0
H	190.0	200.0	230.0	270.0	280.0	320.0	390.0	415.0	510.0	600.0	710.0	900.0	1117.0	1324.0
W	90.0	90.0	100.0	140.0	140.0	160.0	180.0	200.0	225.0	250.0	290.0	330.0	350.0	400.0
A	95.0	105.0	115.0	140.0	150.0	165.0	185.0	200.0	220.0	250.0	285.0	340.0	405.0	460.0
B	65.0	75.0	85.0	100.0	110.0	125.0	145.0	160.0	180.0	210.0	240.0	295.0	355.0	410.0
C	45.0	58.0	68.0	78.0	88.0	102.0	122.0	138.0	158.0	188.0	212.0	268.0	320.0	378.0
D	14.0	16.0	16.0	16.0	16.0	18.0	18.0	20.0	20.0	22.0	22.0	24.0	26.0	28.0
N-TM	4-14	4-14	4-14	4-18	4-18	4-18	4-18	8-18	8-18	8-18	8-23	8-23	12-27	12-27