

**Fig No:GBF-JIS 10K 1/2"~16"**  
**DN15~DN400**

**Features:**

- Conical seat, or seat design
- Round Bonnet with Integral York.
- Outside Screw and Yoke, Rising stem design
- 2" and larger integral Stellite seat face available for longer service life (option)
- Seat face stellite, ground and lapped to a mirror finish, conical seat machined to 8 RMS
- Body and Bonnet joint accurately machined, Full enclosed gasket

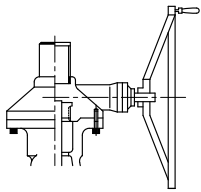
**Standard compliance:**

- Shell wall Thickness according to ANSI B16.34
- Face to Face according to JIS B2002(1987)
- Flanged dimension according to JIS B2238(1996)
- Pressure testing according to API598

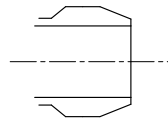


**MATERIALS LIST**

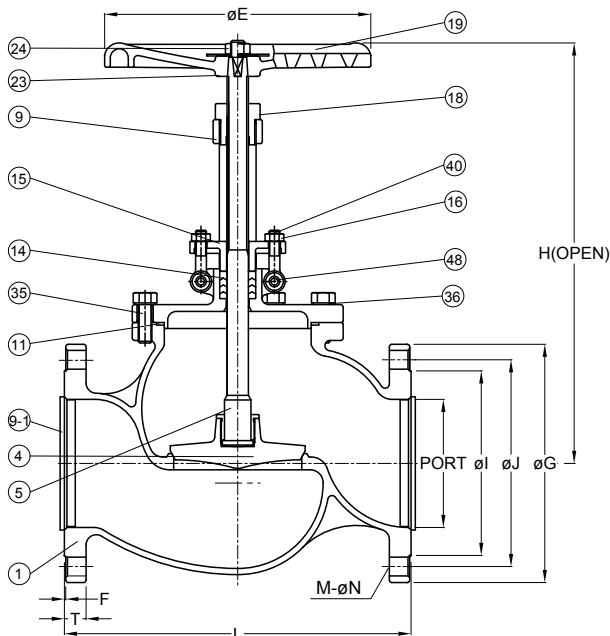
NO.	SUBJECT	MATERIAL
1	BODY	SCS14
4	DISC	SCS316
5	STEM	SUS316
9	BONNET	SCS14
9-1	COVER	PE
11	GASKET	SPIRAL WOUND/GRAPHITE/PTFE
14	PACKING	PTFE./GRAPHITE
15	GLAND	SCS14
16	EYE BOLT NUT	SUS304
18	BUSH	BRONZE
19	HAND WHEEL	DUCTILE IRON
23	WASHER	SUS304
24	WHEEL NUT	A194-8
35	BONNET BOLT	A193-B8
37	SPRING WASHER	A193-B8
40	EYE BOLT	A194-8
48	SPRING WASHER	A276-304



Available With Gear Operator



Buttwelding Ends



**DIMENSIONS**

unit:mm

DN	NPS	PORT	L	$\phi E$	H(OPEN)	$\phi G$	$\phi J$	$\phi I$	T	F	M- $\phi N$
DN15	1/2"	15.0	108.0	100.0	190.0	95.0	70.0	52.0	12.0	1.0	4- $\phi 15.0$
DN20	3/4"	20.0	117.0	100.0	195.0	100.0	75.0	58.0	14.0	1.0	4- $\phi 15.0$
DN25	1"	25.0	127.0	125.0	208.0	125.0	90.0	70.0	14.0	1.0	4- $\phi 19.0$
DN40	1-1/2"	40.0	165.0	140.0	260.0	140.0	105.0	85.0	16.0	2.0	4- $\phi 19.0$
DN50	2"	50.0	203.0	170.0	275.0	155.0	120.0	100.0	16.0	2.0	4- $\phi 19.0$
DN65	2-1/2"	65.0	216.0	180.0	320.0	175.0	140.0	120.0	18.0	2.0	4- $\phi 19.0$
DN80	3"	80.0	241.0	200.0	360.0	185.0	150.0	130.0	18.0	2.0	8- $\phi 19.0$
DN100	4"	100.0	292.0	225.0	415.0	210.0	175.0	155.0	18.0	2.0	8- $\phi 19.0$
DN125	5"	125.0	356.0	290.0	510.0	250.0	210.0	185.0	20.0	2.0	8- $\phi 23.0$
DN150	6"	150.0	406.0	350.0	535.0	280.0	240.0	215.0	22.0	2.0	8- $\phi 23.0$
DN200	8"	200.0	495.0	400.0	600.0	330.0	290.0	265.0	22.0	2.0	12- $\phi 23.0$
DN250	10"	250.0	622.0	500.0	718.0	400.0	355.0	325.0	24.0	2.0	12- $\phi 25.0$
DN300	12"	300.0	698.0	500.0	760.0	445.0	400.0	370.0	24.0	3.0	16- $\phi 25.0$
DN350	14"	350.0	787.0	500.0	1050.0	490.0	445.0	415.0	26.0	3.0	16- $\phi 25.0$
DN400	16"	400.0	864.0	600.0	1200.0	560.0	510.0	475.0	28.0	3.0	16- $\phi 27.0$