

Fig No:GBF-600 2"~16"
DN50~DN400

Features:

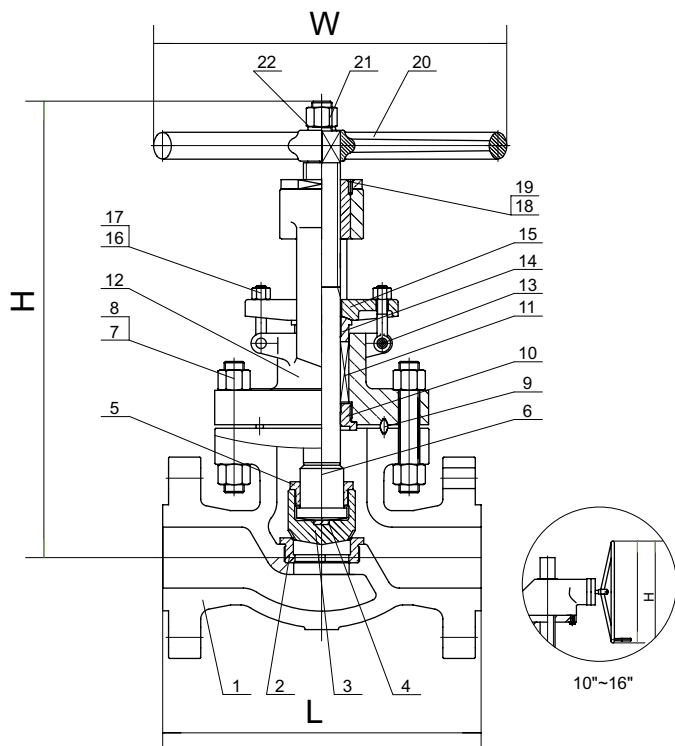
- Conical seat design
- Round Bonnet with Integral Yoke.
- Outside Screw and Yoke, Rising stem design
- Seat face stellited,ground and lapped to a mirror finish,conical seat machined to 8 RMS
- Universal Trim-13 Cr stem, wedge 13 Cr face and stellited seat API Trim 8 suitable for applications up to 850°F (454°C)
- Body and Bonnet joint accurately machined, Full enclosed gasket

Sample Castings:

Before castings are released for production,the Modentic NDE inspector level, evaluates and approves the submitted x-ray films (100% coverage) as per ASME B16.34 acceptance standard Improves the internal integrity of castings (RT level 2 or better) at pattern approval

Standard compliance:

- Valve design according to BS 1873
- Shell wall Thickness according to BS 1873
- Pressure-temperature rating according to ASME/ANSI B16.34
- Material according to ASTM
- Face to Face according to ASME/ANSI B16.10 class 600 RF
- End to end according to ASME/ANSI B16.10 class 600 BW
- Flanged dimension according to ASME/ANSI B16.5 class 600 RF,Finish 125-250 AARH
- Butt weld dimension according to ASME/ANSI B16.25
- Pressure testing according to API 598



MATERIAL LIST

NO	PART NAME	MATERIAL
1	BODY	ASTM A216 GR.WCB
2	Seat Ring	ASTM A105+ HF Faced
3	DISC	ASTM A216 GR.WCB+13%Cr Faced
4	DISC Thrust	ASTM A276 Type 410
5	DISC NUT	ASTM A276 Type 410
6	Stem	ASTM A182 F6
7	Bonnet Stud	ASTM A193 GR.B7
8	Stud Bolt Nuts	ASTM A194 GR.2H
9	Gasket	Ring Joint-Soft iron
10	Bonnet	ASTM A276 Type 410
11	Packing	Braided Graphite & Die formed Graphite Ring
12	Bonnet	ASTM A216 GR.WCB
13	Eye Bolt Pins	Carbon Steel
14	Gland	ASTM A276 Type 410
15	Gland	ASTM A216 GR.WCB
16	Gland Eye Bolts	ASTM A193 GR.B7
17	Eye Bolt Nuts	ASTM A194 GR.2H
18	Yoke Sleeve	ASTM A439 GR.D-2
19	Screw	Carbon Steel
20	Handwheel	Malleable Iron
21	Handwheel Nut	Carbon Steel
22	Backing	Carbon Steel

Other Materials Also Available On Requested

DIMENSIONS

unit:mm

SIZE	L	H	W
2"	292.0	397.0	250.0
3"	356.0	540.0	350.0
4"	432.0	593.0	450.0
6"	559.0	791.0	560.0
8"	660.0	1023.0	600.0
10"	787.0	1040.0	700.0
12"	838.0	1397.0	800.0
14"	889.0	1480.0	610.0
16"	991.0	1542.0	610.0