

**Fig No. GB-200 Full Bore**  
**1/4" ~ 2" DN8 ~ DN50**



**Features :**

Investment casting component  
 Rising Stem  
 Screwed bonnet, Conical seat design  
 For general chemical and industrial application

**Standard Compliance :**

Body wall thickness : EN 12516-1/3  
 Threaded end : BS 21 (BSP )  
 BSPT  
 ISO 228-1  
 DIN 2999  
 ISO 7-1Rp

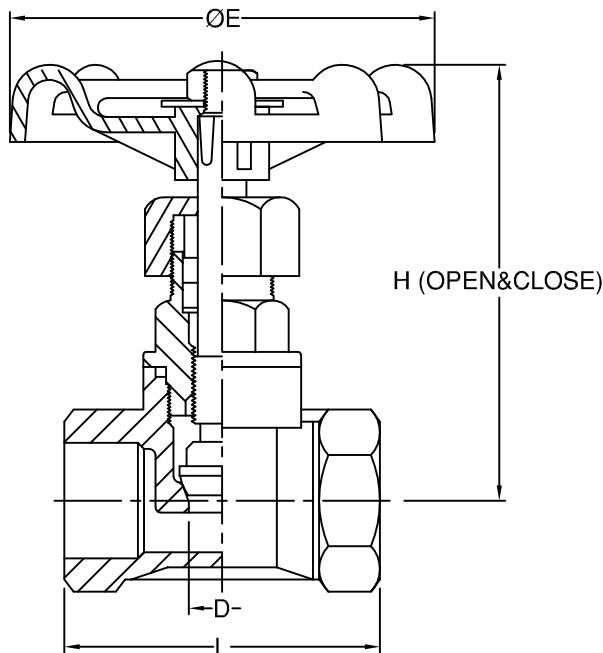
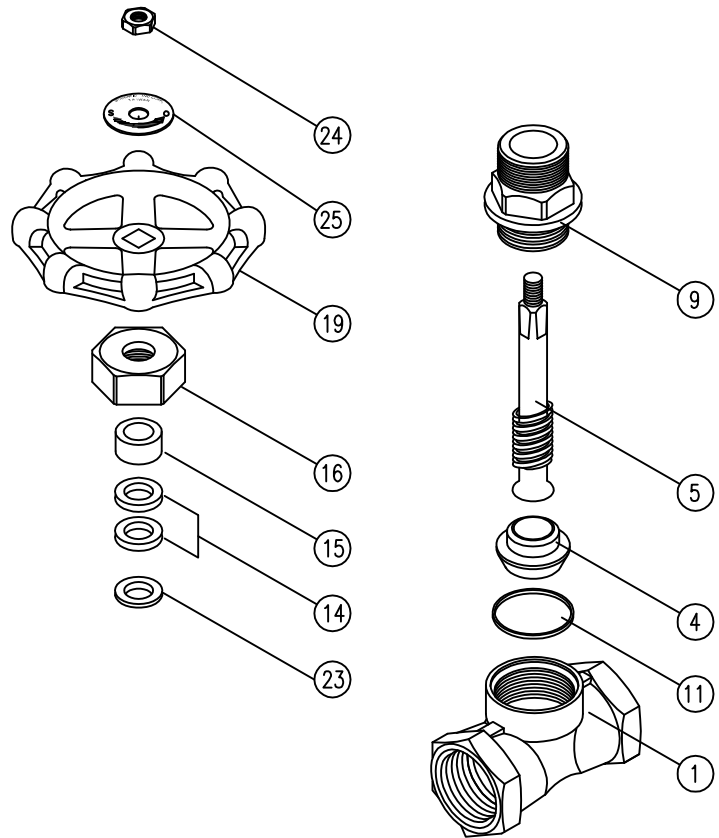
Body material : EN 1503-1  
 Pressure testing : EN 12266

**Specification :**

End connection : Threaded end  
 Working pressure : 16 Bar ( CWP )  
 Temperature : -20 ~ 180° C

**MATERIALS LIST**

NO.	PART NAME	MATERIAL
1	BODY	1.4408/EN1503-1
4	DISC	SS316
5	STEM	SS316
9	BONNET	1.4408/EN1503-1
11	BODY SEAL	PTFE.
14	STEM PACKING	PTFE.
15	GLAND	SS304
16	GLAND NUT	ASTM A351 Gr.CF8M
19	HANDWHEEL	ADC12
23	WASHER	SS316
24	H.W. NUT	SS304
25	NAME PLATE	ALUMINUM



**DIMENSIONS**

SIZE		L	ØE	H <sub>(OPEN)</sub>	H <sub>(CLOSE)</sub>	D
DN8	1/4"	52.0	70.0	79.0	73.0	12.0
DN10	3/8"	52.0	70.0	79.0	73.0	12.0
DN15	1/2"	52.0	70.0	79.0	73.0	12.0
DN20	3/4"	60.0	70.0	94.0	85.0	15.0
DN25	1"	72.0	80.0	101.0	91.0	20.0
DN32	1-1/4"	81.0	80.0	119.0	103.0	25.0
DN40	1-1/2"	90.0	90.0	142.0	124.0	32.0
DN50	2"	101.0	100.0	159.0	139.0	40.0

unit:mm