



# Hygienic Ball Valve, Three Piece Design, Tube Bore, 1000 Psi, Tri-Clamp

## Fig No:EL-955TC

1/2" ~ 2" ( DN 15~ DN 50 )



### Valve Specification :

#### Design specification according to ASME/BPE-2002

The ID for the Valve flow Path (Pall Seats end) Shall be the Same ID as the tubing as per ASME / BPE 2002

Material : Stainless Steel

Sanitary Clamp End Connections available on us dimensioned Valves.

Seat and Seals all materials are FDA compliant

Actuator mounting in accordance with ISO 5211 direct mounting

In-Line Maintenance

Interior, surfaces are 20 Ra (0.50µm)

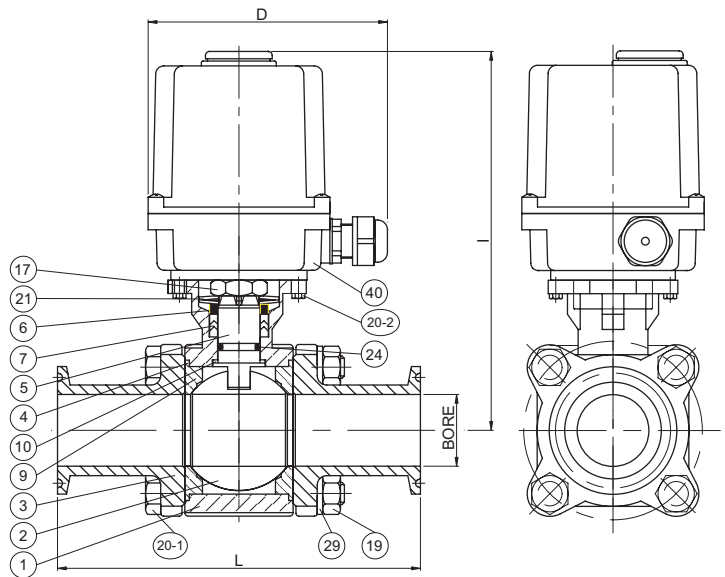
End connection : Tri-Clamp End

Temperature Range : -4 to 356°F (-20 to 180°C)

Options : Cavity filled seat

### MATERIALS LIST

NO.	PART NAME	MATERIAL	QTY
1	BODY	ASTM A351 GR.CF8M	1
2	BALL	ASTM A351 GR.CF8M	1
3	END CAP	ASTM A351 GR.CF8M	2
4	BODY SEAL	PTFE.	2
5	STEM	SS316	1
6	FOLLOWER	SS304	1
7	STEM PACKING	PTFE.	1 SET
9	SEAT	PTFE.	2
10	THRUST WASHWE	PTFE.	1
17	STEM NUT	SS304	1
19	BOLT NUT	SS304	4~12
20-1	END CAP BOLT	SS304	4~12
20-2	BOLT	SS304	4
21	BELLEVILLE WASHER	SS301	1 SET
24	O-RING	VITON	1
29	BOLT WASHER	SS304	4~12
40	ELECTRIC ACTUATOR	NYLON	1



### DIMENSIONS

Unit:mm

SIZE	1/2"				3/4"				1"				1-1/2"				2"				2-1/2"				3"				4"					
ELECTRIC FIG.	UMS		UM-1		UMS		UM-1		UM-1				UM-1				UM-2				UM-3				UM-3				UM-4					
VOLTAGE	110 VAC	220 VAC	24 VAC	24 DVC	110 VAC	220 VAC	24 VAC	24 DVC	110 VAC	220 VAC	24 VAC	24 DVC	110 VAC	220 VAC	24 VAC	24 DVC	110 VAC	220 VAC	24 VAC	24 DVC	110 VAC	220 VAC	110 VAC	220 VAC	110 VAC	220 VAC	110 VAC	220 VAC	110 VAC	220 VAC	110 VAC	220 VAC	110 VAC	220 VAC
BORE	9.5				15.9				22.2				35.0				47.6				60.3				73.0				97.4					
D	136.2	136.2	136.2	148.0	136.2	136.2	136.2	148.0	136.2	136.2	136.2	148.0	148.0	148.0	148.0	148.0	185.0	185.0	148.0	148.0	200.0	200.0	200.0	200.0	200.0	200.0	200.0	200.0	200.0	200.0	200.0	200.0	200.0	200.0
I	134.5	134.5	134.5	181.0	142.5	142.5	142.5	189.0	197.0	197.0	197.0	197.0	213.0	213.0	213.0	213.0	263.0	263.0	263.0	263.0	262.0	262.0	262.0	262.0	262.0	262.0	262.0	262.0	262.0	262.0	262.0	262.0	262.0	262.0
L	110.0				119.0				124.2				143.2				162.0				197.0				229.0				243.0					