



# Hygienic Ball Valve, Three Piece Design, Tube Bore, Tube End

## Fig No:EL-955EB

1/2" ~ 2" ( DN 15~ DN 50 )



### Valve Specification :

#### Design specification according to ASME/BPE-2002

The ID for the Valve flow Path (Pall Seats end) Shall be the Same ID as the tubing as per ASME / BPE 2002

Material : Stainless steel

Orbital weld end fittings have a wall thickness that matches connecting U.S. gaugem ISO, or DIN Tubing

Seat and Seals all materials are FDA compliant

Actuator mounting in accordance with ISO 5211 direct mounting In-Line Maintenance

Valve do not require disassemble for welding

Interior, surfaces are 20 Ra (0.50µm)

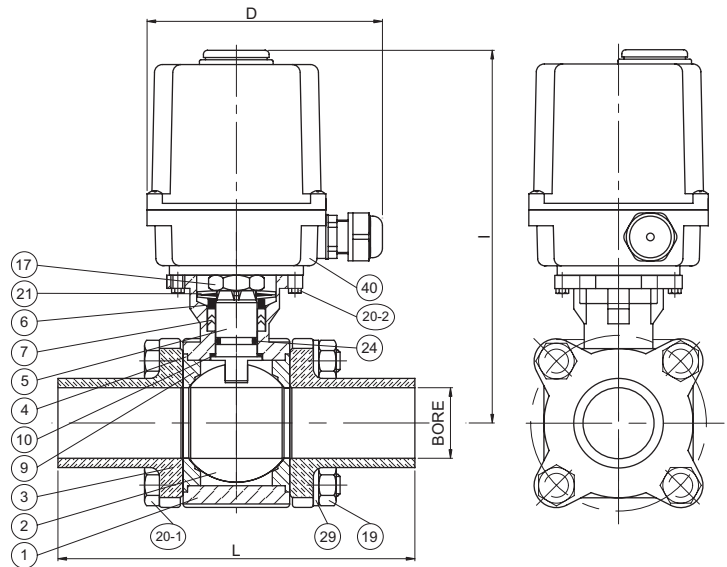
End connection : Tube End

Temperature Range : -4 to 356°F (-20 to 180°C)

Options : Cavity filled seat

### MATERIALS LIST

| NO.  | PART NAME         | MATERIAL          | QTY   |
|------|-------------------|-------------------|-------|
| 1    | BODY              | ASTM A351 GR.CF8M | 1     |
| 2    | BALL              | ASTM A351 GR.CF8M | 1     |
| 3    | END CAP           | ASTM A351 GR.CF3M | 2     |
| 4    | BODY SEAL         | PTFE.             | 2     |
| 5    | STEM              | SS316             | 1     |
| 6    | FOLLOWER          | SS304             | 1     |
| 7    | STEM PACKING      | PTFE.             | 1 SET |
| 9    | SEAT              | TFM 1600          | 2     |
| 10   | THRUST WASHWE     | PTFE.             | 1     |
| 17   | STEM NUT          | SS304             | 1     |
| 19   | BOLT NUT          | SS304             | 4~12  |
| 20-1 | END CAP BOLT      | SS304             | 4~12  |
| 20-2 | BOLT              | SS304             | 4     |
| 21   | BELLEVILLE WASHER | SS301             | 1 SET |
| 24   | O-RING            | VITON             | 1     |
| 29   | BOLT WASHER       | SS304             | 4~12  |
| 40   | ELECTRIC ACTUATOR | NYLON             | 1     |



### DIMENSIONS

Unit:mm

| SIZE          | 1/2"    |         |        |        | 3/4"    |         |        |        | 1"      |         |        |        | 1-1/2"  |         |        |        | 2"      |         |        |        | 2-1/2"  |         |         |         | 3"      |         |         |         | 4"      |         |         |         |         |         |       |       |
|---------------|---------|---------|--------|--------|---------|---------|--------|--------|---------|---------|--------|--------|---------|---------|--------|--------|---------|---------|--------|--------|---------|---------|---------|---------|---------|---------|---------|---------|---------|---------|---------|---------|---------|---------|-------|-------|
| ELECTRIC FIG. | UMS     |         | UM-1   |        | UMS     |         | UM-1   |        | UM-1    |         |        |        | UM-1    |         |        |        | UM-2    |         |        |        | UM-3    |         |         |         | UM-3    |         |         |         | UM-4    |         |         |         |         |         |       |       |
| VOLTAGE       | 110 VAC | 220 VAC | 24 VAC | 24 DVC | 110 VAC | 220 VAC | 24 VAC | 24 DVC | 110 VAC | 220 VAC | 24 VAC | 24 DVC | 110 VAC | 220 VAC | 24 VAC | 24 DVC | 110 VAC | 220 VAC | 24 VAC | 24 DVC | 110 VAC | 220 VAC | 110 VAC | 220 VAC | 110 VAC | 220 VAC | 110 VAC | 220 VAC | 110 VAC | 220 VAC | 110 VAC | 220 VAC | 110 VAC | 220 VAC |       |       |
| BORE          | 9.5     |         |        |        | 15.9    |         |        |        | 22.2    |         |        |        | 35.0    |         |        |        | 47.6    |         |        |        | 60.3    |         |         |         | 73.0    |         |         |         | 97.4    |         |         |         |         |         |       |       |
| D             | 136.2   | 136.2   | 136.2  | 148.0  | 136.2   | 136.2   | 136.2  | 148.0  | 136.2   | 136.2   | 136.2  | 148.0  | 148.0   | 148.0   | 148.0  | 148.0  | 185.0   | 185.0   | 148.0  | 148.0  | 200.0   | 200.0   | 200.0   | 200.0   | 200.0   | 200.0   | 200.0   | 200.0   | 350.0   | 350.0   | 350.0   | 350.0   | 350.0   | 350.0   | 350.0 | 350.0 |
| I             | 136.5   | 136.5   | 136.5  | 183.0  | 142.5   | 142.5   | 142.5  | 189.0  | 150.5   | 150.5   | 150.5  | 197.0  | 216.0   | 216.0   | 216.0  | 216.0  | 262.0   | 262.0   | 262.0  | 262.0  | 262.0   | 262.0   | 262.0   | 262.0   | 271.0   | 271.0   | 271.0   | 271.0   | 374.6   | 374.6   | 374.6   | 374.6   | 374.6   | 374.6   | 374.6 | 374.6 |
| L             | 110.0   |         |        |        | 119.0   |         |        |        | 124.0   |         |        |        | 141.0   |         |        |        | 162.0   |         |        |        | 197.0   |         |         |         | 229.0   |         |         |         | 243.0   |         |         |         |         |         |       |       |