



Wafer Type Flanged Ball Valves, Full Bore, PN 16/40

Fig No:EL-56 Full Bore
1/2" ~ 4" (DN 15 ~ DN 100)



Valve Specification :

Design Specification According to EN-12516-1

Material : Stainless Steel, Carbon Steel or Special Alloy upon request
 Blow-out-proof stem design & Anti-static design
 Stem packing to comply with **TA-Luft** requirements
 Actuator Mounting shall be in accordance with ISO 5211
 Flange Dimension according to EN 1092-1

1/2" ~ 2" PN 40, 2-1/2" ~ 4" PN 16

Working Pressure according to EN-12516-1 PN 16 / 40 Flanged type
 Temperature Range : -4 to 356 °F (-20 to 180 °C)

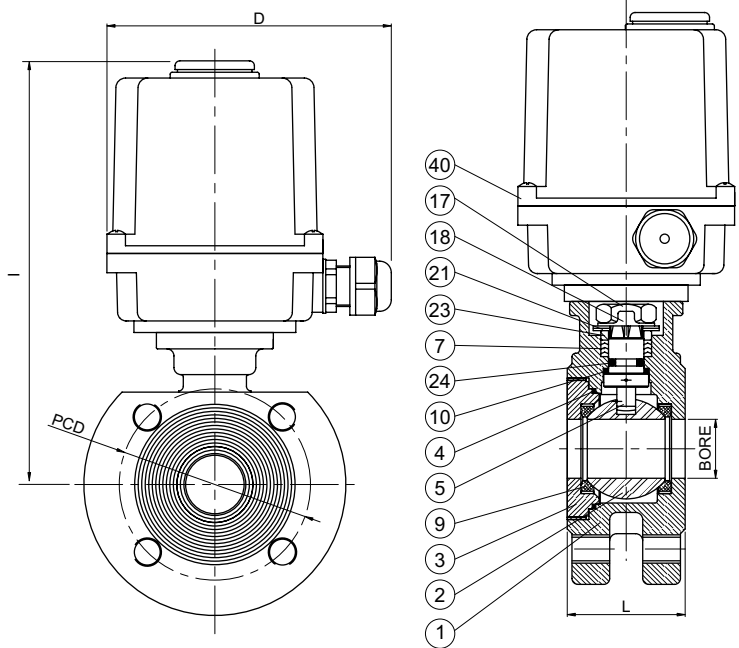
Pressure Test According to EN 12266-1

Shell test by water : working pressure x 1.5 time

Closure seat by Air : 6.9 bar

MATERIALS LIST

NO.	PART NAME	MATERIAL	Q'TY
1	BODY	ASTM A351 Gr.CF8M	1
2	BALL	ASTM A351 Gr.CF8M	1
3	END CAP	ASTM A351 Gr.CF8M	1
4	BODY SEAL	PTFE.	1
5	STEM	SS316	1
7	STEM PACKING	PTFE.	1 SET
9	SEAT	PTFE. , RTFE.	2
10	THRUST WASHER	PTFE.	1
17	STEM NUT	SS304	1
18	TAB WASHER	SS304	1
21	BELLEVILLE WASHER	SS301	1 SET
23	STEM BUSH	PTFE+15%GF	1
24	O-RING	VITON	1
40	ELECTRIC ACTUATOR	NYLON	1



DIMENSIONS

Unit:mm

SIZE	1/2"				3/4"				1"				1-1/4"				1-1/2"				2"				2-1/2"				3"				4"			
ELECTRIC FG.	UMS		UM-1		UMS		UM-1		UMS		UM-1		UM-1				UM-1				UM-3				UM-4				UM-4							
VOLTAGE	110 VAC	220 VAC	24 VAC	24 DVC	110 VAC	220 VAC	24 VAC	24 DVC	110 VAC	220 VAC	24 VAC	24 DVC	110 VAC	220 VAC	24 VAC	24 DVC	110 VAC	220 VAC	24 VAC	24 DVC	110 VAC	220 VAC	24 VAC	24 DVC	110 VAC	220 VAC	24 VAC	24 DVC	110 VAC	220 VAC	24 VAC	24 DVC				
BORE	15.0				20.0				25.0				32.0				38.0				50.0				63.0				77.0				96.0			
D	136.2	136.2	136.2	148.0	136.2	136.2	136.2	148.0	136.2	136.2	136.2	148.0	148.0	148.0	148.0	148.0	148.0	148.0	148.0	148.0	148.0	148.0	148.0	148.0	200.0	200.0	200.0	200.0	350.0	350.0	350.0	350.0	350.0	350.0	350.0	350.0
I	152.5	152.5	152.5	199.0	155.0	155.0	155.0	201.5	160.0	160.0	160.0	206.5	219.0	219.0	219.0	219.0	231.0	231.0	231.0	231.0	238.6	239.6	238.6	238.6	277.8	277.8	277.8	277.8	369.3	369.3	369.3	369.3	384.3	384.3	384.3	384.3
L	40.8				44.0				50.0				60.0				65.0				80.0				110.0				120.0				150.0			
PCD	65.0				75.0				85.0				100.0				110.0				125.0				145.0				160.0				180.0			