

Fig No:EL-55 Full Bore
1/2" ~ 4" (DN 15 ~ DN 100)

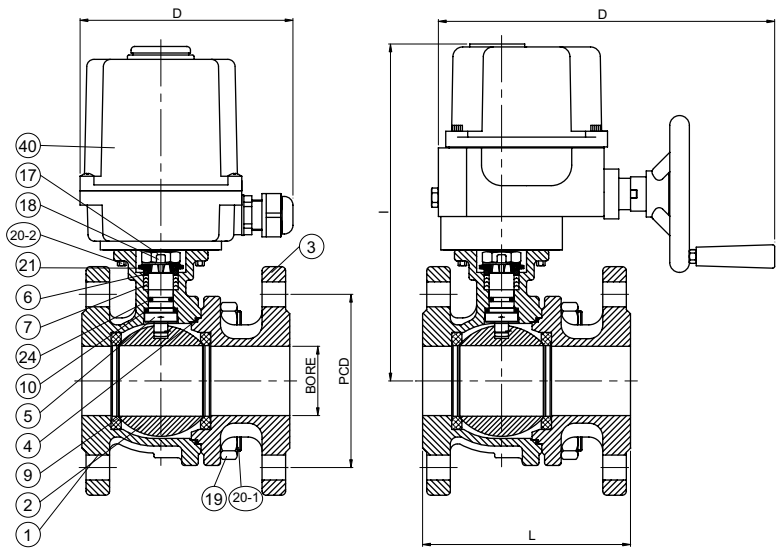


Valve Specification :

Design Specification According to ANSI B16.34 Class 150
 Material : Stainless Steel, Carbon Steel or Special Alloy upon request
 Blow-out-proof stem design & Anti-static design
 Stem packing to comply with **TA-Luft** requirements
 Actuator mounting shall be in accordance with ISO 5211
 Face to Face According to ANSI B16.10 Class 150
 Flange dimension according to ANSI B16.5 Class 150
 Working Pressure according to ANSI B16.34 Class 150
 Temperature Range : -4 to 356 °F (-20 to 180 °C)
 Pressure Test According to API 598 :
 Shell test by water : Working pressure x 1.5 time
 Closure seat by Air : 80 ~ 100 Psi (5.6 ~ 7 bar)

MATERIALS LIST

NO.	PART NAME	MATERIAL	Q'TY
1	BODY	ASTM A351 Gr.CF8M	1
2	BALL	ASTM A351 Gr.CF8M	1
3	END CAP	ASTM A351 Gr.CF8M	1
4	BODY SEAL	PTFE.	1
5	STEM	SS316	1
7	STEM PACKING	PTFE.	1 SET
9	SEAT	PTFE. , RTFE.	2
10	THRUST WASHER	PTFE.	1
17	STEM NUT	SS304	1
18	TAB WASHER	SS304	1
19	NUT	SS304	4~12
20-1	STUD	SS304	4~12
20-2	BOLT	SS304	4
21	BELLEVILLE WASHER	SS301	1 SET
23	STEM BUSH	SS304	1
24	O-RING	VITON	1
39	ELECTRIC ACTUATOR	NYLON	1



DIMENSIONS

Unit:mm

SIZE	1/2"				3/4"				1"				1-1/4"				1-1/2"				2"				2-1/2"				3"				4"			
ELECTRIC FIG.	UMS		UM-1		UMS		UM-1		UM-1				UM-2		UM-1		UM-2				UM-3				UM-3				UM-4							
VOLTAGE	110 VAC	220 VAC	24 VAC	24 DVC	110 VAC	220 VAC	24 VAC	24 DVC	110 VAC	220 VAC	24 VAC	24 DVC	110 VAC	220 VAC	24 VAC	24 DVC	110 VAC	220 VAC	24 VAC	24 DVC	110 VAC	220 VAC	24 VAC	24 DVC	110 VAC	220 VAC	24 VAC	24 DVC	110 VAC	220 VAC	24 VAC	24 DVC				
BORE	15.0				20.0				25.0				32.0				38.0				50.0				65.0				80.0				100.0			
D	148.0	148.0	148.0	148.0	148.0	148.0	148.0	148.0	148.0	148.0	148.0	148.0	148.0	148.0	148.0	148.0	148.0	148.0	148.0	148.0	148.0	148.0	148.0	148.0	200.0	200.0	200.0	200.0	350.0	350.0	350.0	350.0	350.0	350.0	350.0	350.0
I	198.0	198.0	198.0	198.0	200.5	200.5	200.5	200.5	206.5	206.5	206.5	206.5	219.0	219.0	219.0	219.0	272.0	272.0	231.0	231.0	279.6	279.6	279.6	279.6	277.8	277.8	277.8	277.8	369.3	369.3	369.3	369.3	384.3	384.3	384.3	384.3
L	108.0				117.4				127.0				139.7				165.1				177.8				190.5				203.2				228.6			
PCD	60.5				69.9				79.2				88.9				98.6				120.7				139.7				152.4				190.5			