



Three Piece Design, Fire Safe, High Performance, Full Bore, 2000 PSI

Fig No:EL-255FS

API 607 4th Fire Safe Approved

1/4" ~ 2" (DN 8 ~ DN 50)



Valve Specification :

Design Specification According to ANSI B16.34 Class 600

Fire safe shall be in accordance with API 607

Material : Stainless Steel, Carbon Steel or Special Alloy upon request

Blow-out-proof stem design & Anti-static design

Stem packing to comply with **TA-Luft** requirements

Actuator Mounting shall be in accordance with ISO 5211

In-Line Maintenance

End Connection: Threaded / Socket Weld / Butt Weld

Working Pressure : 1/2" ~ 1" 2000 Psi / 1-1/4" ~ 2" 1500 Psi

Temperature Range : -4 to 356 °F (-20 to 180 °C)

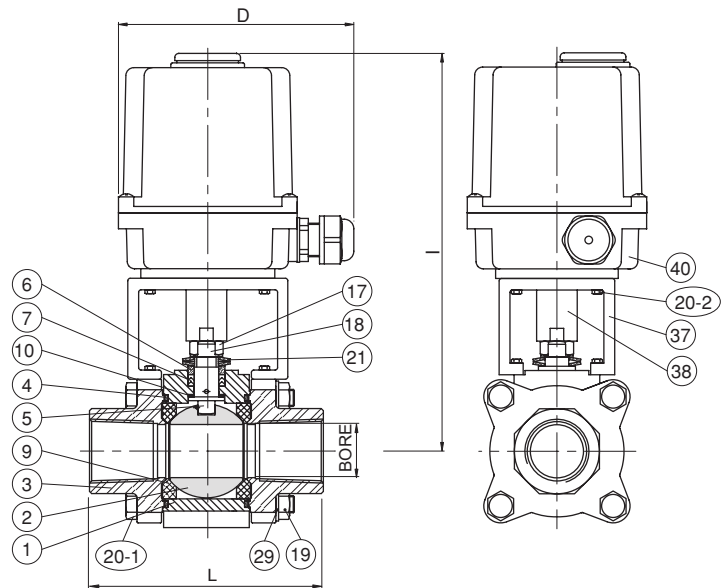
Pressure Test According to API 598

Shell test by water : 1/2" ~ 1" 3000 Psi / 1-1/4" ~ 2" 2250 Psi

Closure seat by Air : 80 ~ 100 Psi

MATERIALS LIST

NO	PART NAME	MATERIAL	Q'TY
1	BODY	ASTM A351 GR.CF8M	1
2	END CAP	ASTM A351 GR.CF8M	2
3	BALL	ASTM A351 GR.CF8M	1
4	BODY SEAL	GRAPHITE	2
5	STEM	SS316	1
6	FOLLOWER	SS304	1
7	STEM PACKING	GRAPHITE	1 SET
9	SEAT	RTFE.	2
10	THRUST WASHER	GRAPHITE + RTFE.	1
17	STEM NUT	SS304	1
18	TAB WASHER	SS304	1
19	BOLT NUT	SS304	4~12
20-1	BOLT	SS304	4~12
20-2	MOUNTING BOLT	SS304	8
21	BELLEVILLE WASHER	SS301	1 SET
29	BOLT WASHER	SS304	4~12
37	MOUNTING BRACKET	SS304	1
38	ADAPTER	SS304	1
40	ELECTRIC AUTUATOR	NYLON	1



DIMENSIONS

Unit:mm

SIZE	1/4"				3/8"				1/2"				3/4"				1"				1-1/4"				1-1/2"				2"											
ELECTRIC FIG.	UMS		UM-1		UMS		UM-1		UMS		UM-1		UMS		UM-1		UMS		UM-1		UM-1				UM-2				UM-3											
VOLTAGE	110 VAC	220 VAC	24 VAC	24 DVC	110 VAC	220 VAC	24 VAC	24 DVC	110 VAC	220 VAC	24 VAC	24 DVC	110 VAC	220 VAC	24 VAC	24 DVC	110 VAC	220 VAC	24 VAC	24 DVC	110 VAC	220 VAC	24 VAC	24 DVC	110 VAC	220 VAC	24 VAC	24 DVC	110 VAC	220 VAC	24 VAC	24 DVC	110 VAC	220 VAC	24 VAC	24 DVC	110 VAC	220 VAC	24 VAC	24 DVC
BORE	10.1				10.0				15.0				20.0				25.0				32.0				38.0				50.0											
D	136.2	136.2	136.2	148.0	136.2	136.2	136.2	148.0	136.2	136.2	136.2	148.0	136.2	136.2	136.2	148.0	136.2	136.2	136.2	148.0	148.0	148.0	148.0	148.0	148.0	148.0	148.0	148.0	148.0	148.0	148.0	148.0	148.0	148.0	200.0	200.0				
I	146.8	146.8	146.8	193.3	147.3	147.3	147.3	193.8	146.5	146.5	146.5	193.0	150.5	150.5	150.5	197.0	200.0	200.0	200.0	200.0	204.0	204.0	204.0	204.0	252.3	252.3	252.3	252.3	274.3	274.3	254.3	254.3								
L	64.8				64.8				72.5				85.4				105.3				111.0				127.3				142.8											