



Two Piece Screwed Body Design, Full Bore, 1000psi, Screwed End

Fig No:EL-168

1/2" ~ 2" (DN 15 ~ DN 50)



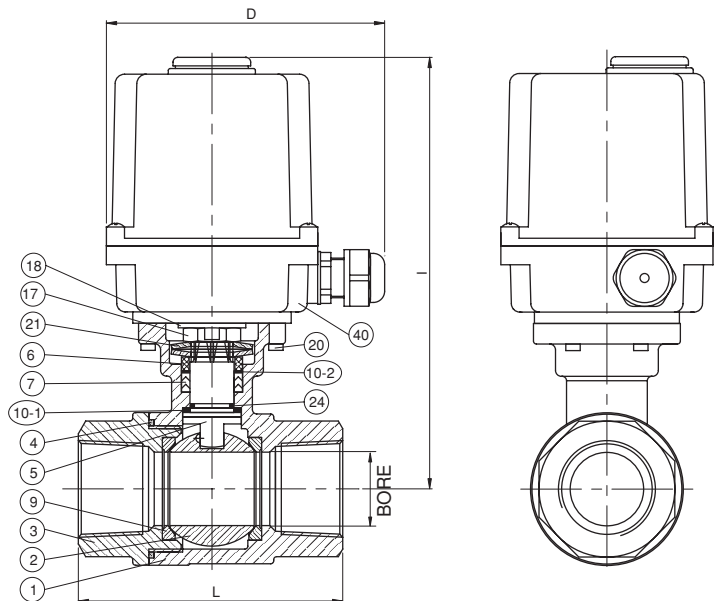
Valve Specification :

Design specification according to EN 12516-3

Material:Stainless steel, carbon steel or special alloy upon request
 Blow-out-proof stem design & Anti-static design
 Stem packing to comply with **TA-Luft** requirements
 Actuator mounting shall be in accordance with ISO 5211
 Working Pressure(CWP) : 1000 Psi
 Temperature Range : -4 to 356 °F (-20 to 180 °C)
 Pressure Test According to API 598
 Shell test by water : 1500 Psi
 Closure seat by Air : 80 ~ 100 Psi

MATERIALS LIST

NO	PART NAME	MATERIAL	Q'TY
1	BODY	ASTM A351 GR. CF8M	1
2	BALL	ASTM A351 GR. CF8M	1
3	END CAP	ASTM A351 GR. CF8M	2
5	STEM	SS316	1
6	FOLLOWER	SS304	1
7	STEM PACKING	PTFE.	1 SET
9	SEAT	PTFE.	2
10-1	THRUST WASHER	PTFE.	1
10-2	THRUST WASHER	PTFE.	1
17	STEM NUT	SS304	1
18	TAB WASHER	SS304	1
20	BOLT	SS304	4
21	BEVELILLE WASHER	SS301	1 SET
24	O-RING	VITON	1
40	ELECTRIC ACTUATOR	NYLON	1



DIMENSIONS

Unit:mm

SIZE	1/4"				3/8"				1/2"				3/4"				1"				1-1/4"				1-1/2"				2"			
ELECTRIC FIG.	UMS		UM-1		UMS		UM-1		UMS		UM-1		UMS		UM-1		UMS		UM-1		UMS		UM-1		UMS		UM-1		UMS		UM-1	
VOLTAGE	110 VAC	220 VAC	24 VAC	24 DVC	110 VAC	220 VAC	24 VAC	24 DVC	110 VAC	220 VAC	24 VAC	24 DVC	110 VAC	220 VAC	24 VAC	24 DVC	110 VAC	220 VAC	24 VAC	24 DVC	110 VAC	220 VAC	24 VAC	24 DVC	110 VAC	220 VAC	24 VAC	24 DVC	110 VAC	220 VAC	24 VAC	24 DVC
BORE	11.5				12.5				15.0				20.0				25.0				32.0				38.0				50.8			
D	136.2	136.2	136.2	148.0	136.2	136.2	136.2	148.0	136.2	136.2	136.2	148.0	136.2	136.2	136.2	148.0	148.0	148.0	148.0	148.0	148.0	148.0	148.0	148.0	148.0	148.0	148.0	148.0	148.0	148.0	148.0	148.0
I	134.5	134.5	134.5	181.0	134.5	134.5	134.5	181.0	134.5	134.5	134.5	181.0	141.0	141.0	141.0	187.5	151.0	151.0	151.0	197.5	156.5	156.5	156.5	203.0	165.0	165.0	165.0	211.5	219.1	219.1	219.1	219.1
L	75.0				80.0				90.0				110.0				120.0				140.0				108.0				121.5			