

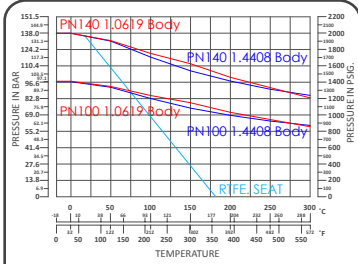


V-255FSA

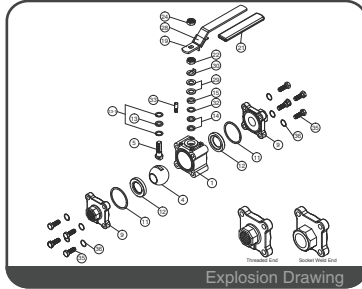
Fire Safe Ball Valve
 API 607 6th Edition / ISO 10497 Certified
 DN15 ~ DN65 With 8 Bolts Design
 PN140/100 / Reduced Bore



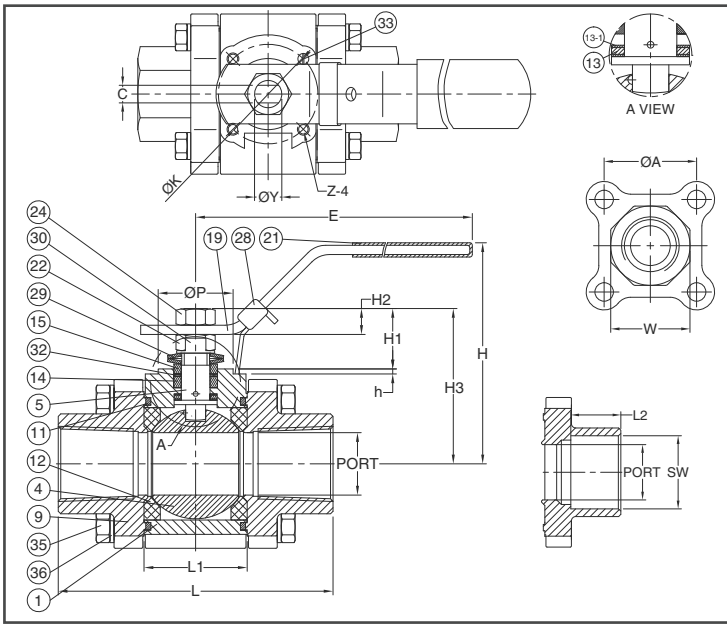
0038



PN140/100 P-T Chart



Explosion Drawing



FEATURES

- Investment Cast Body Construction
- 3 Pieces Body Design with 8 Bolts
- ISO 5211 Mounting Flange
- Blow-Out-Proof Stem Design & Anti-Static Device
- ABS Type Approval for Marine, Offshore Platform, and Industrial Applications - Water, Oil, and Air
- Available for Pneumatic or Electric Actuator
- NACE MR0175 is available upon request
- Super Alloy materials for highly corrosive medium are available upon request

AUTOMATION AVAILABLE

SPECIFICATIONS

- Size Range DN15 ~ DN65 (1/2" ~ 2-1/2")
- End Connection Threaded / Socket Weld Ends
- Working Pressure PN140 for DN15 ~ DN32
PN100 for DN40 ~ DN65
- Steam Pressure 150 psig. Saturated Steam for RTFE.
- Temperature Range -4 to 356 °F (-20 to 180 °C) for RTFE.

STANDARDS

- Design EN 12516-1/2/3 / API 608 / ANSI B16.34 Class 600
- Mounting Flange ISO 5211
- Threaded End NPT/ BS 21 (BSP) / BSPT / ISO 228-1 / DIN 2999 / ISO 7-1Rp
- Socket Weld End ASME/ANSI B16.11
- Face to Face Manufacturer Standards
- Material EN 1503-1
- Pressure Testing EN 12266

CERTIFICATE

- Fire Safe API 607 6th Edition / ISO 10497 Certified
- Type Approval ABS Type Approval
- CE Approval PED 97/23/EC Module H
- Quality Assurance ISO 9001
- Material Certificate EN 10204-3.1 MTR

MATERIAL LIST

| NO. | PART NAME | MATERIAL (more options available) |
|------|-------------------|------------------------------------|
| 1 | BODY | EN1503-1 1.4408 EN1503-1 1.0619 |
| 4 | BALL | ASTM A351 Gr.CF8M |
| 5 | STEM | ASTM A276 Gr.316 |
| 9 | END CAP | EN1503-1 1.4408 EN1503-1 1.0619 |
| 11 | BODY SEAL | GRAPHITE |
| 12 | SEAT | PTFE. + 25%CARBON |
| 13 | THRUST WASHER | GRAPHITE |
| 13-1 | THRUST WASHER | RTFE. |
| 14 | STEM PACKING | GRAPHITE |
| 15 | GLAND BUSH | SS304 |
| 19 | HANDLE | SS304 |
| 21 | HANDLE COVER | PLASTIC |
| 22 | STEM NUT | SS304 |
| 24 | HANDLE NUT | SS304 |
| 28 | LOCKING DEVICE | SS304 |
| 29 | BELLEVILLE WASHER | SS301 |
| 30 | TAB WASHER | SS304 |
| 32 | PACKING FOLLOWER | RTFE. |
| 33 | STOP PIN | SS304 |
| 35 | BODY BOLT | SS304 |
| 36 | BOLT WASHER | SS304 |

DIMENSION

| SIZE | PORT | L | L1 | E | H | H1 | H2 | H3 | h | C | ØY | W | | ØK | ØP | Z | ØA | L2 | SW | |
|------|--------|------|-------|------|-------|-------|------|------|------|-----|------|-------|------|------|--------|------|----|------|------|------|
| | | | | | | | | | | | | TH | SW | | | | | | | |
| DN15 | 1/2" | 10.0 | 64.8 | 20.5 | 132.8 | 63.7 | 7.5 | 6.6 | 37.1 | 0.5 | 6.5 | 9.5 | 30.0 | 30.0 | 36/F03 | 25.1 | M5 | 32.0 | 10.0 | 21.9 |
| DN20 | 3/4" | 15.0 | 72.5 | 24.5 | 132.8 | 65.1 | 17.1 | 11.1 | 46.1 | 2.0 | 6.5 | 9.5 | 36.0 | 36.0 | 36/F03 | 25.0 | M5 | 35.0 | 13.0 | 27.3 |
| DN25 | 1" | 20.0 | 84.2 | 31.4 | 132.8 | 73.2 | 18.1 | 9.1 | 50.9 | 2.0 | 6.5 | 9.5 | 44.5 | 44.5 | 36/F03 | 25.0 | M5 | 41.3 | 13.0 | 33.9 |
| DN32 | 1-1/4" | 25.0 | 105.3 | 41.3 | 171.8 | 83.1 | 25.4 | 13.1 | 61.4 | 2.0 | 8.0 | 11.1 | 54.0 | 54.0 | 42/F04 | 30.0 | M5 | 48.0 | 13.0 | 42.8 |
| DN40 | 1-1/2" | 32.0 | 111.0 | 48.4 | 171.8 | 87.6 | 26.2 | 12.6 | 66.8 | 2.0 | 8.0 | 11.1 | 60.0 | 60.0 | 42/F04 | 30.0 | M5 | 56.2 | 13.0 | 48.9 |
| DN50 | 2" | 38.0 | 127.3 | 56.3 | 204.2 | 98.4 | 32.4 | 14.9 | 80.0 | 2.2 | 9.7 | 14.2 | 68.0 | 73.2 | 50/F05 | 35.0 | M6 | 63.6 | 16.0 | 61.3 |
| DN65 | 2-1/2" | 50.0 | 153.4 | 72.0 | 211.0 | 130.0 | 28.5 | 15.5 | 99.4 | 1.5 | 12.0 | 19.05 | 86.0 | 86.0 | 70/F07 | 55.0 | M8 | 79.2 | 16.0 | 74.0 |

DIMENSION

| SIZE | PORT | L | L1 | E | H | H1 | H2 | H3 | h | C | ØY | W | | ØK | ØP | Z | ØA | L2 | SW | |
|------|--------|------|------|------|------|------|------|------|------|------|------|------|------|------|----------|------|----|------|------|------|
| | | | | | | | | | | | | TH | SW | | | | | | | |
| DN15 | 1/2" | 0.39 | 2.55 | 0.81 | 5.23 | 2.51 | 0.30 | 0.26 | 1.46 | 0.02 | 0.26 | 0.37 | 1.18 | 1.18 | 1.42/F03 | 0.99 | M5 | 1.26 | 0.39 | 0.86 |
| DN20 | 3/4" | 0.59 | 2.85 | 0.96 | 5.23 | 2.56 | 0.67 | 0.44 | 1.81 | 0.08 | 0.26 | 0.37 | 1.42 | 1.42 | 1.42/F03 | 0.98 | M5 | 1.38 | 0.51 | 1.07 |
| DN25 | 1" | 0.79 | 3.31 | 1.24 | 5.23 | 2.88 | 0.71 | 0.36 | 2.00 | 0.08 | 0.26 | 0.37 | 1.75 | 1.75 | 1.42/F03 | 0.98 | M5 | 1.63 | 0.51 | 1.33 |
| DN32 | 1-1/4" | 0.98 | 4.15 | 1.63 | 6.76 | 3.27 | 1.00 | 0.52 | 2.42 | 0.08 | 0.31 | 0.44 | 2.13 | 2.13 | 1.65/F04 | 1.18 | M5 | 1.89 | 0.51 | 1.69 |
| DN40 | 1-1/2" | 1.26 | 4.37 | 1.91 | 6.76 | 3.45 | 1.03 | 0.50 | 2.63 | 0.08 | 0.31 | 0.44 | 2.36 | 2.36 | 1.65/F04 | 1.18 | M5 | 2.21 | 0.51 | 1.93 |
| DN50 | 2" | 1.50 | 5.01 | 2.22 | 8.04 | 3.87 | 1.28 | 0.59 | 3.15 | 0.09 | 0.38 | 0.56 | 2.68 | 2.88 | 1.97/F05 | 1.38 | M6 | 2.50 | 0.63 | 2.41 |
| DN65 | 2-1/2" | 1.97 | 6.04 | 2.83 | 8.31 | 5.12 | 1.12 | 0.61 | 3.91 | 0.06 | 0.47 | 0.75 | 3.39 | 3.39 | 2.76/F07 | 2.17 | M8 | 3.12 | 0.63 | 2.91 |