

**Fig No:MD-51FS 1" - 6"**  
**DN25 ~ DN150**



**Features:**

- **Certified To API 607 4th Edition.**
- Investment Cast Components.
- Blow-Out-Proof Stem Design, Antistatic Device.
- Two Position Locking Device.
- Four Point ISO 5211 Mounting Pad Bolt Circle.
- Cast Bosses For Bleed / Drain Port.
- Available Carbon Or Stainless Body Construction.

**Standards Compliance:**

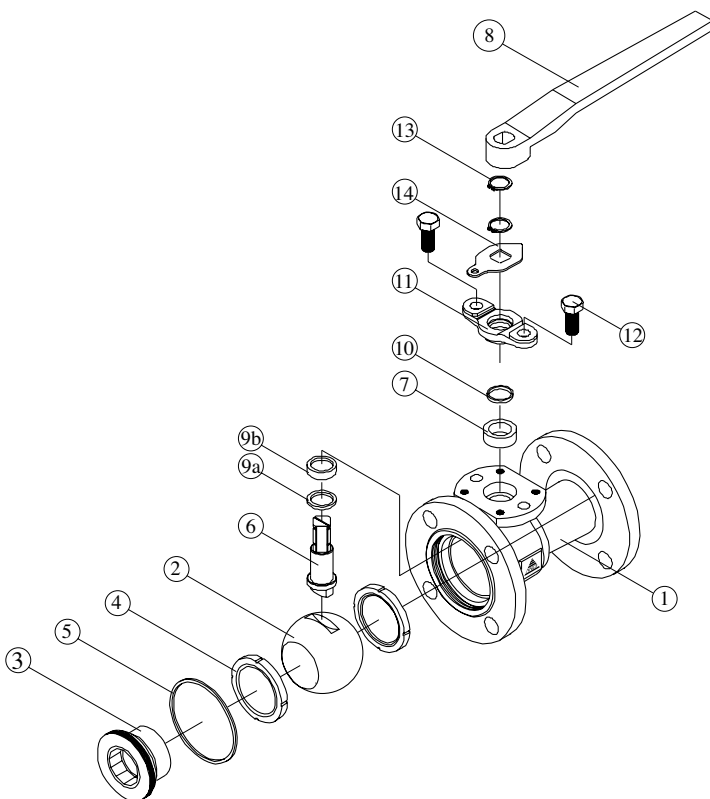
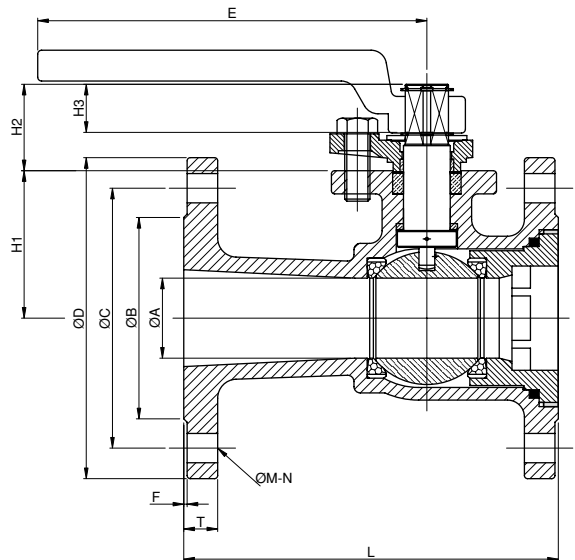
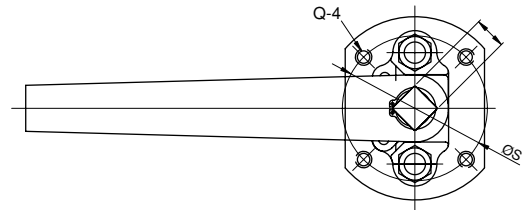
ASME B16.34 API 607 MSS-SP-55  
ANSI B16.10 MSS-SP-61  
ANSI B16.5 API 598 MSS-SP-72

**Specifications:**

- Temperature range: -4 to 356°F (-20 to 180°C).
- 150 psig saturated steam.
- Face To Face:ANSI B16.10 Class 300
- Flange:ANSI B16.5 Class 300 Flanged Fitting

**MATERIALS LIST**

NO.	PART NAME	MATERIAL
1	BODY	A351 Gr. CF8M
2	BALL	A351 Gr. CF8M
3	INSERT	A351 Gr. CF8M
4	SEAT	PTFE.+15%G.F
5	BODY SEAL	GRAFOIL+SS 316
6	STEM	SS 316
7	STEM PACKING	GRAFOIL
8	HANDLE	FCD 45
9a	THRUST WASHER	PTFE.
9b	THRUST WASHER	GRAFOIL
10	BEARING	PTFE.
11	GLAND	SS 304
12	BOLT	SS 304
13	SNAP RING	SS 304
14	STOP PLATE	SS 304



**DIMENSIONS**

Unit : mm

SIZE	A	B	C	D	E	F	H	H1	H2	H3	L	W	S	T	Q	ØM-N
1"	20.0	50.8	88.9	124.0	130.8	1.5	75.9	45.7	22.4	11.4	165.1	10.9	41.9	17.5	1/4"-20	Ø19.1-4
1-1/2"	31.8	73.2	114.3	155.4	164.8	1.5	96.0	57.4	25.4	15.5	190.5	14.0	50.0	20.6	1/4"-20	Ø22.4-4
2"	38.1	91.9	127.0	165.1	201.9	1.5	134.6	70.1	38.6	21.6	215.9	17.0	70.1	22.4	5/16"-18	Ø19.1-8
2-1/2"	50.8	104.6	149.4	190.5	201.9	1.5	138.4	78.2	38.6	21.6	241.3	17.0	70.1	25.4	5/16"-18	Ø22.4-8
3"	63.5	127.0	168.1	209.6	328.4	1.5	164.8	95.0	59.7	32.0	282.4	22.1	102.1	28.4	3/8"-16	Ø22.4-8
4"	82.6	157.2	200.2	254.0	328.4	1.5	186.9	118.6	61.0	33.5	304.8	22.1	102.1	31.8	3/8"-16	Ø22.4-8
6"	114.3	215.9	269.7	317.5	752.3	1.5	264.2	155.7	74.9	45.5	403.1	26.9	125.0	36.6	1/2"-13	Ø22.4-12