

**Fig No. MD-27 Full Bore**  
**1/2" ~ 6" DN15 ~ DN150**



**Feature :**

- Investment Casting Component
- ISO 5211 mounting Flange
- Blow-out-proof stem, Anti-Static Design
- For General Chemical and Industrial application
- Carbon steel or Super Alloy upon request

**Standard Compliance:**

- Body wall thickness : B16.34
- Face to Face : ANSI B16.10 Class 150
- Flange Dimension : ANSI B16.5 Class 150
- Finish : 125- 250 AARH
- Body Material : ASTM A351
- Pressure testing : EN12266

**Standard Compliance:**

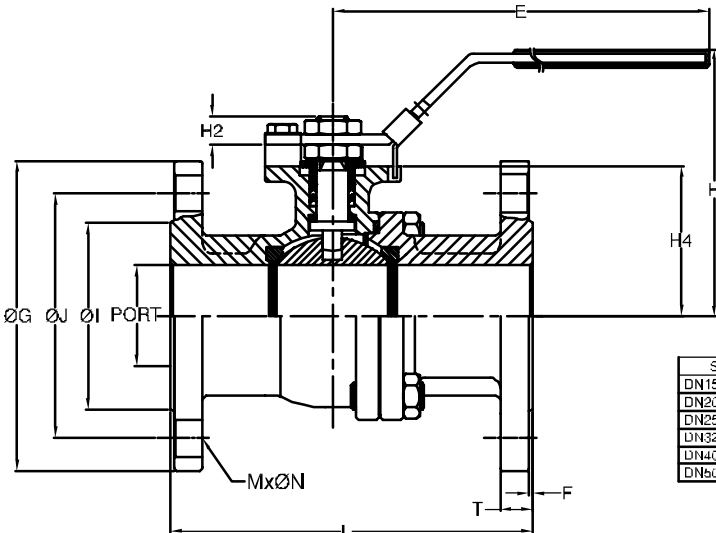
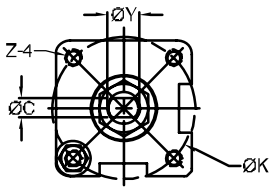
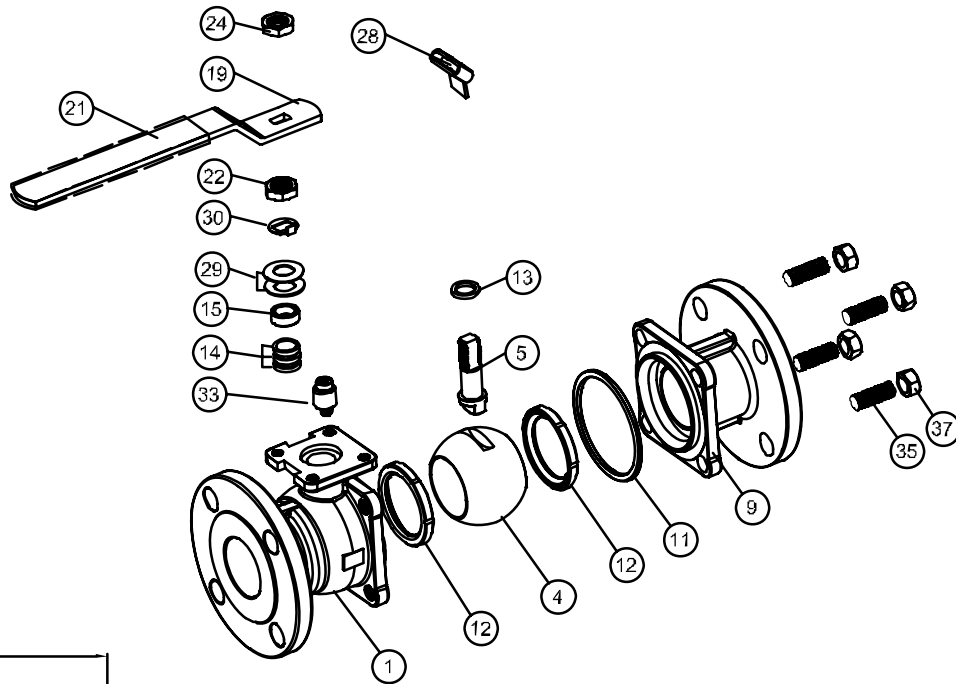
- End connection : Flange RF
- Working pressure : 275 psi ( CWP )
- Temperature : -20 ~ 180° C

**Option :**

- API 607 fire safe design

**MATERIALS LIST**

NO.	PART NAME	MATERIAL
1	BODY	ASTM A351 Gr.CF8M
4	BALL	ASTM A351 Gr.CF8M
5	STEM	SS316
9	END CAP	ASTM A351 Gr.CF8M
11	BODY SEAL	PTFE.
12	SEAT	RTFE.
13	THRUST WASHER	PTFE.
14	STEM PACKING	PTFE.
15	GLAND BUSH	SS304
19	HANDLE	SS304
21	HANDLE COVER	PLASTIC
22	STEM NUT	SS304
24	HANDLE NUT	SS304
28	LOCKING PAD	SS304
29	BELLEVILLE WASHER	SS301
30	TAB WASHER	SS304
33	STOP PIN	SS304
35	BODY BOLT	ASTM A193 Gr.B8
37	BOLT NUT	ASTM A194 Gr.8



**DIMENSIONS**

SIZE	PORT	L	E	H	H2	H4	C	ØY	ØG	ØJ	ØI	T	F	M	ØN	ØK	Z	
DN15	1/2"	15.0	108.0	132.0	80.0	8.5	38.5	6.4	9.6	88.0	60.5	35.0	11.2	1.6	4	16.0	42.0	M5*0.8P
DN20	3/4"	20.0	117.0	132.0	84.5	8.5	42.5	6.4	9.6	98.6	70.0	43.0	12.7	1.6	4	16.0	42.0	M5*0.8P
DN25	1"	25.0	127.0	166.0	102.0	12.0	52.0	8.0	11.2	108.0	79.2	51.0	14.3	1.6	4	16.0	50.0	M6*1.0P
DN32	1 1/4"	32.0	140.0	166.0	105.0	12.0	55.0	8.0	11.2	117.5	88.9	63.5	15.9	1.6	4	16.0	50.0	M6*1.0P
DN40	1 1/2"	38.0	165.0	198.0	125.0	12.0	65.3	9.5	16.0	127.0	98.6	73.2	17.5	1.6	4	16.0	70.0	M8*1.25P
DN50	2"	50.0	178.0	198.0	132.0	12.0	73.8	9.5	16.0	152.5	120.7	92.0	19.1	1.6	4	18.0	70.0	M8*1.25P

**Fig No. MD-27 Full Bore**  
**1/2" ~ 6" DN15 ~ DN150**



**Feature :**

- Investment Casting Component
- ISO 5211 mounting Flange
- Blow-out-proof stem, Anti-Static Design
- For General Chemical and Industrial application
- Carbon steel or Super Alloy upon request

**Standard Compliance:**

- Body wall thickness : B16.34
- Face to Face : ANSI B16.10 Class 150
- Flange Dimension : ANSI B16.5 Class 150
- Finish : 125- 250 AARH
- Body Material : ASTM A351
- Pressure testing : EN12266

**Standard Compliance:**

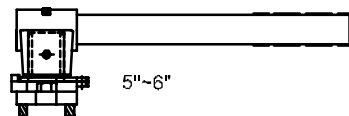
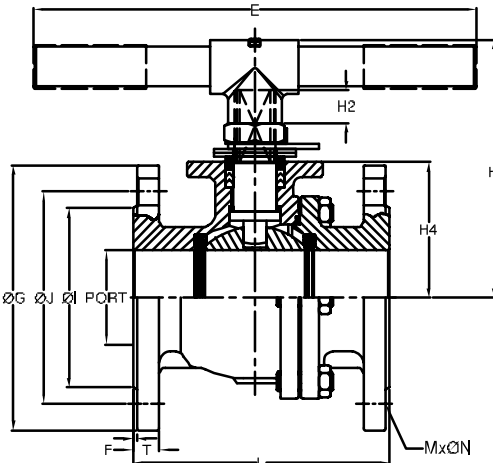
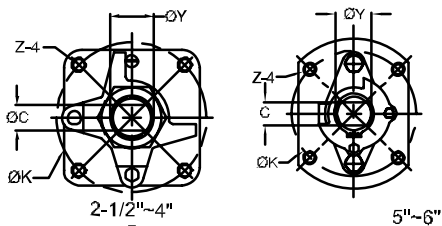
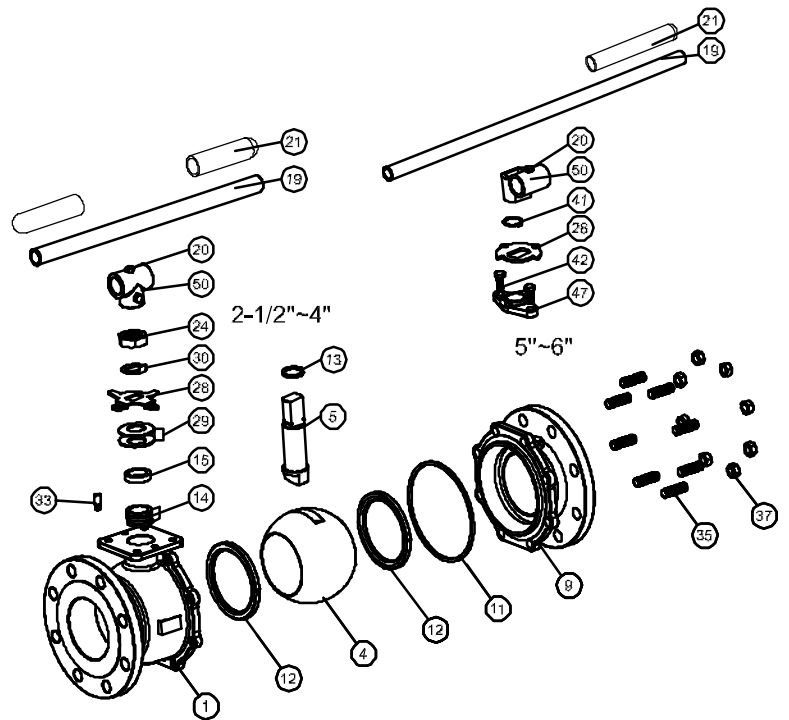
- End connection : Flange RF
- Working pressure : 275 psi ( CWP )
- Temperature : -20 ~ 180° C

**Option :**

- API 607 fire safe design

**MATERIALS LIST**

NO.	PART NAME	MATERIAL
1	BODY	ASTM A351 Gr.CF8M
4	BALL	ASTM A351 Gr.CF8M
5	STEM	SS316
9	END CAP	ASTM A351 Gr.CF8M
11	BODY SEAL	PTFE.
12	SEAT	RTFE.
13	THRUST WASHER	PTFE.
14	STEM PACKING	PTFE
15	GLAND BUSH	SS304
19	HANDLE	LRON
20	SET BOLT	SS304
21	HANDLE COVER	PLASTIC
24	HANDLE NUT	SS304
28	STOP PLATE	SS304
29	BELLEVILLE WASHER	SS301
30	TAB WASHER	SS304
33	STOP PIN	SS304
35	BODY BOLT	ASTM A193 Gr.B8
37	BOLT NUT	ASTM A194 Gr.B
41	SNAP RING	SS304
42	GLAND BOLT	SS304
47	GLAND FLANGE	SS304
50	HANDLE ADAPTER	ASTM A351 Gr.CF8



**DIMENSIONS**

SIZE	PORT	L	E	F	H1	H2	H4	C	ØY	ØG	ØJ	ØI	T	F	M	ØN	ØK	Z
DN55	2 1/2"	94.0	190.0	300.0	178.0	---	23.0	22.5	17.0	28.0	177.8	139.7	Ø4.7	23.3	1.6	19.0	Ø2.0	M 0*1.5P
DN80	3"	76.0	203.0	300.0	188.0	---	23.0	Ø1.7	17.0	28.0	190.5	152.4	Ø7.0	23.9	1.6	19.0	Ø2.0	M 0*1.5P
DN100	4"	100.0	229.0	420.0	202.0	---	23.0	Ø1.0	17.0	28.0	228.6	191.0	Ø7.0	23.9	1.6	19.0	Ø2.0	M 0*1.5P
DN125	5"	125.0	325.0	600.0	---	233.0	75.0	163.0	23.0	36.0	254.0	216.0	Ø8.0	24.5	1.6	19.0	Ø2.0	M12*1.75P
DN150	6"	150.0	394.0	900.0	---	269.0	75.0	182.5	23.0	36.0	273.4	241.3	Ø8.0	25.4	1.6	19.0	Ø2.0	M12*1.75P

unit:mm