

Fig No. MD-22J-10K

1-1/2" - 10" (DN40- DN250)



Feature :

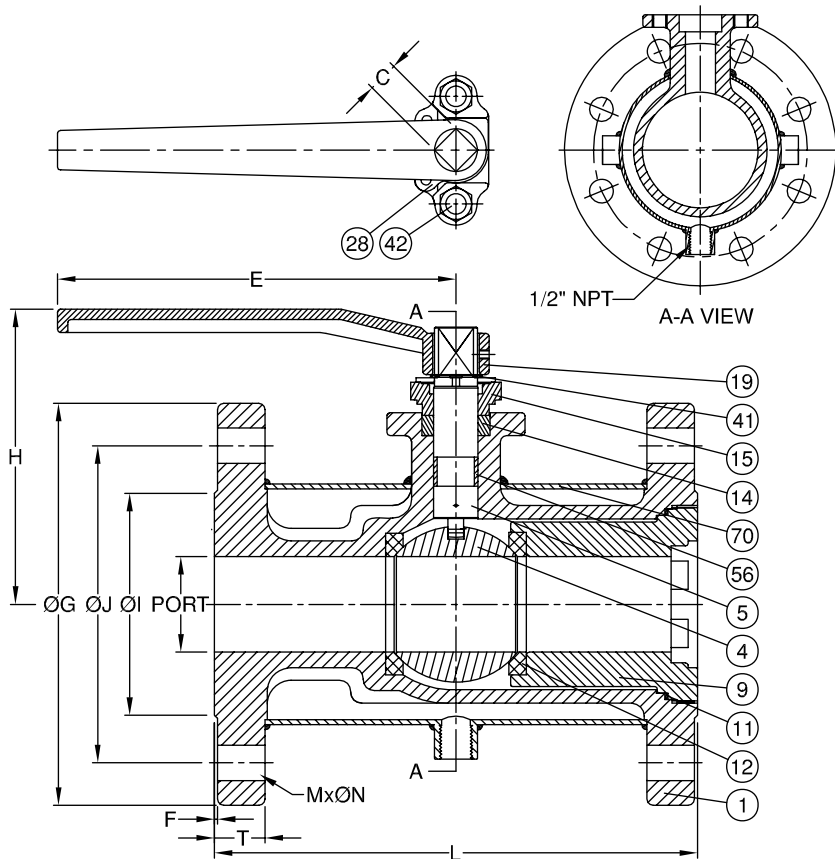
- Investment Casting Component
- ISO 5211 mounting flange
- Blow-out-proof stem, Anti-Static Design
- For General Chemical and Industrial application
- Cast Bosses For Bleed / Drain Port.

Standard Compliance:

- Design : B16.34
- Face to face : JIS B2002
- Flange dimension : JIS 2010
- Body Material : SCS 14A
- Pressure testing : EN 12266-1/ API 598

Specifications :

- End connection : Flange RF
- Working pressure : 10KGS (CWP)
- Temperature : -20 ~220°C



MATERIALS LIST

| NO. | PART NAME | MATERIAL |
|-----|--------------|-------------------|
| 1 | BODY | SCS14 |
| 4 | BALL | ASTM A351 Gr.CF8M |
| 5 | STEM | SS316 |
| 9 | INSERT CAP | SCS14 |
| 11 | BODY SEAL | 50%PTFE.+50%S.S. |
| 12 | SEAT | 50%PTFE.+50%S.S. |
| 14 | STEM PACKING | 50%PTFE.+50%S.S. |
| 15 | GLAND | ASTM A351 Gr.CF8M |
| 19 | HANDLE | FCD45 |
| 28 | STOP PLATE | SS304 |
| 41 | SNAP RING | SS304 |
| 42 | GLAND BOLT | SS304 |
| 56 | BEARING | 50%PTFE.+50%S.S. |
| 70 | JACKET | SS304 |

DIMENSIONS

unit:mm

| SIZE | PORT | L | E | H | C | ØG |
|-------------|-----------------|-----|-----|-----|-----|-----|
| DN40xDN15 | 1-1/2" x 1/2" | 15 | 120 | 150 | 127 | 140 |
| DN40xDN20 | 1-1/2" x 3/4" | 20 | 120 | 150 | 133 | 140 |
| DN50xDN25 | 2" x 1" | 25 | 130 | 150 | 137 | 155 |
| DN65xDN40 | 2-1/2" x 1-1/2" | 40 | 165 | 240 | 155 | 175 |
| DN80xDN50 | 3" x 2" | 50 | 180 | 240 | 177 | 185 |
| DN100xDN65 | 4" x 2-1/2" | 65 | 190 | 320 | 184 | 210 |
| DN125xDN80 | 5" x 3" | 80 | 200 | 320 | 184 | 250 |
| DN150xDN100 | 6" x 4" | 100 | 230 | 400 | 235 | 280 |
| DN250xDN150 | 10" x 6" | 150 | 340 | 515 | 280 | 400 |

| SIZE | ØJ | ØI | T | F | M | ØN |
|-------------|-----------------|-----|-----|----|-----|----|
| DN40xDN15 | 1-1/2" x 1/2" | 105 | 85 | 16 | 2.0 | 4 |
| DN40xDN20 | 1-1/2" x 3/4" | 105 | 85 | 16 | 2.0 | 4 |
| DN50xDN25 | 2" x 1" | 120 | 100 | 16 | 2.0 | 4 |
| DN65xDN40 | 2-1/2" x 1-1/2" | 140 | 120 | 18 | 2.0 | 4 |
| DN80xDN50 | 3" x 2" | 150 | 130 | 18 | 2.0 | 8 |
| DN100xDN65 | 4" x 2-1/2" | 175 | 155 | 18 | 2.0 | 8 |
| DN125xDN80 | 5" x 3" | 210 | 185 | 20 | 2.0 | 8 |
| DN150xDN100 | 6" x 4" | 240 | 215 | 22 | 2.0 | 8 |
| DN250xDN150 | 10" x 6" | 355 | 325 | 24 | 2.0 | 12 |