

Fig no. HPV-43 Full Bore
1/2" - 2" DN15 - DN50



Features :

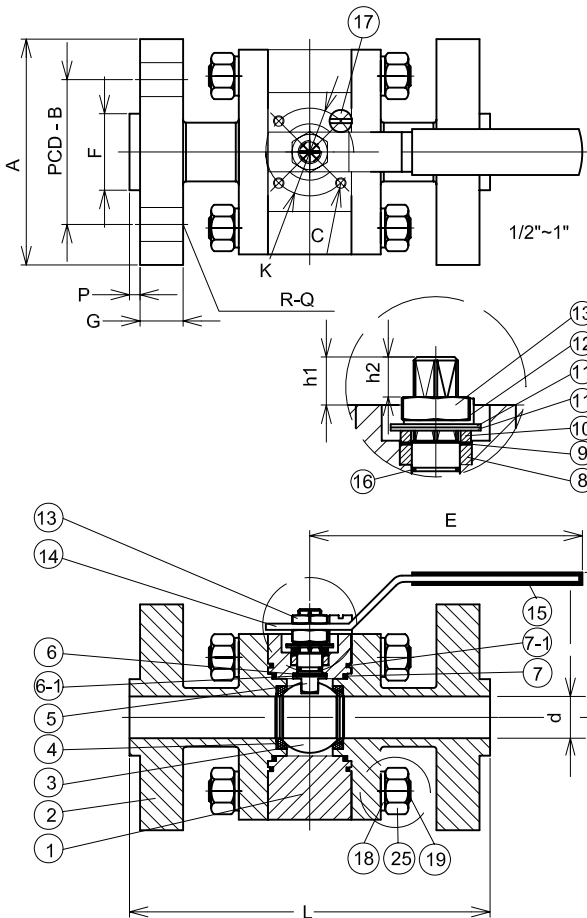
- BS 6755 PART2 API 607 5th Fire safe approved**
- Bar material valve body, ISO 5211 Mounting flange
- Blow out proof stem, Anti-static design
- 360 degree rotation design, in-line maintenance
- For Chemical, Industrial application
- Carbon Steel, Super Alloy available upon request

Standard Compliance

- Body wall thickness : EN 12516-1/2
- Flange end : ANSI B16.5 Class 1500
- Face to face : MD's standard
- Body material : DIN
- Pressure testing : EN12266
- Fire safe testing : API 607 5th, BS6755 PART 2**
- ISO 10497**

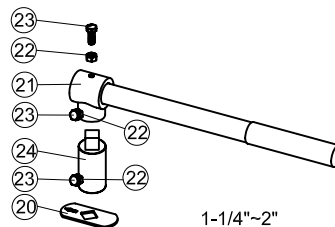
Specification :

- End Connection : Flange end
- Working pressure : 260 bar (CWP)
- Temperature : -20°C to 80°C for Delrin seat
- 20°C to 250°C for Peek seat



DIMENSIONS

SIZE	d	L	E	H	h1	h2	D	K	C	A	B	F	G	P	Q	R	M	N
1/2"	16	221.8	181	77	14.85	10.3	9	42	M5	120.7	82.6	34.9	22.4	7	22.4	4	5/16-18UNC	8
3/4"	20	232.8	183	81	12	10	9	42	M5	130.1	88.9	42.9	25.4	7	22.4	4	5/16-18UNC	8
1"	25	247	183	97	22.3	11.5	11	42	M5	149.4	101.6	50.8	28.5	7	25.4	4	5/16-18UNC	8
1 1/4"	32	261	285	162	33.2	17.5	14	50	M6	158.8	111.1	63.5	28.5	7	25.4	4	3/8-16UNC	8
1 1/2"	38	288.8	285	167	28	17.5	14	50	M6	177.8	123.8	73	31.8	7	28.6	4	1/2-13UNC	8
2"	50	368	285	175	28	17.5	14	50	M6	215.9	165.1	92.1	38.1	7	25.4	8	9/16-12UNC	8



MATERIALS LIST

N0	PART NAME	MATERIAL
1	BODY	1.4401/ EN1503-1
2	CAP	1.4401/ EN1503-1
3	BALL	ASTM A351 Gr.CF8M
4	BALL SEATS	Delrin/ Peek
5	STEM	17-4PH
6	THRUST WASHER	Graphite
6-1	THRUST WASHER	PTFE
7	END SEALS	Graphite
7-1	END SEALS	PTFE
8	STEM PACKING	Graphite
9	THRUST WASHER	TFM1600
10	GLAND BUSH	S.S.304
11	BELLEVILLE WASAER	SUS304-CSP
12	STOP	S.S.304
13	HANDLE NUT	S.S.304
14	HANDLE	S.S.304
15	HANDLE SLEEVE	VINYL GRIP
16	O-RING	VITON
17	STOPPER	S.S.304
18	SPRING WASHER	S.S.304
19	BOLT	S.S.304
20	STOP PLATE	S.S.304
21	STEM ADAPTER	CF8
22	NUT	A2-70
23	BOLT	S.S.304
24	STEM ADAPTER	S.S.304
25	NUT	S45C