



Three Piece Fire Safe Approved High Pressure Ball Valve, Reduced Bore, PN 260, Thread end

Fig no. HPV-40FS Reduced Bore
1/4" ~ 2" DN 8- DN 50



Features :

- BS 6755 PART2 API 607 5th Fire safe approved
- Bar material valve body, ISO 5211 Mounting flange
- Blow out proof stem, Anti-static design
- 360 degree rotation design, in-line maintenance
- For Chemical, Industrial application
- Carbon Steel, Super Alloy available upon request

Standard Compliance

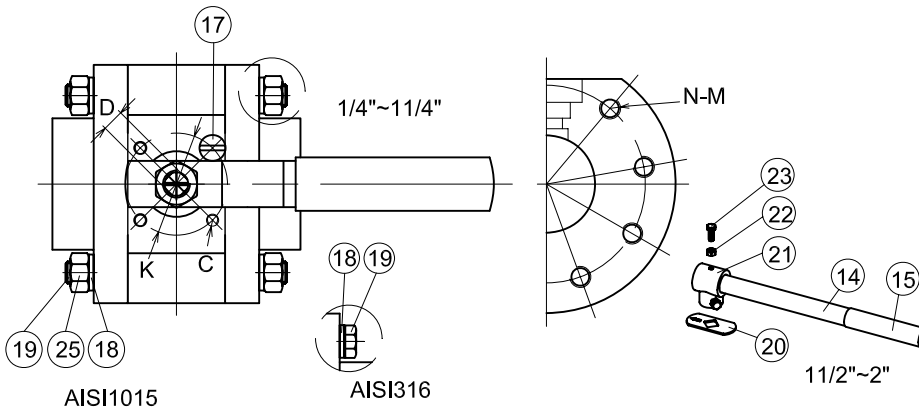
- Body wall thickness : EN 12516-1/2
- Thread end : BS 21 (BSP)
- BSPT
- ISO 228-1G
- DIN 2999
- ISO 7-1Rp

- Face to face : MD's standard
- Body material : DIN
- Pressure testing : EN12266

Fire safe testing : API 607 5th, BS6755 PART 2
ISO 10497

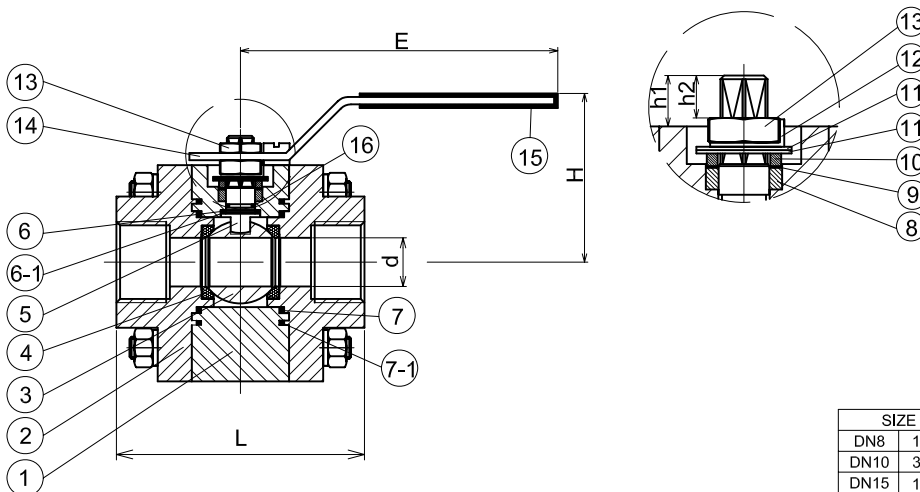
Specification :

- End Connection : Thread end
- Working pressure : 246 bar (CWP)
- Temperature : -20°C to 80°C for Delrin seat
-20°C to 250°C for Peek seat



MATERIALS LIST

| N0 | PART NAME | MATERIAL |
|-----|-------------------|--------------------|
| 1 | BODY | 1.4401 (AISI 316) |
| 2 | CAP | 1.4401 (AISI 316) |
| 3 | BALL | ASTM A351 Gr.CF8M |
| 4 | BALL SEATS | Delrin/ Peek |
| 5 | STEM | 17-4PH |
| 6 | THRUST WASHER | Graphite |
| 6-1 | THRUST WASHER | PTFE |
| 7 | END SEALS | Graphite |
| 7-1 | END SEALS | PTFE |
| 8 | STEM PACKING | Graphite |
| 9 | THRUST WASHER | TFM1600 |
| 10 | GLAND BUSH | S.S.304 |
| 11 | BELLEVILLE WASAER | SUS304-CSP |
| 12 | STOP | S.S.304 |
| 13 | HANDLE NUT | S.S.304 |
| 14 | HANDLE | S.S.304 |
| 15 | HANDLE SLEEVE | VINYL GRIP |
| 16 | O-RING | VITON |
| 17 | STOPPER | S.S.304 |
| 18 | SPRING WASHER | S.S.304 |
| 19 | BOLT | S.S.304 |
| 20 | STOP PLATE | S.S.304 |
| 21 | STEM ADAPTER | CF8 |
| 22 | NUT | A2-70 |
| 23 | BOLT | S.S.304 |
| 25 | NUT | S45C |



DIMENSIONS

| SIZE | d | L | E | H | D | K | C | h1 | h2 | N | M | |
|------|--------|------|-----|-----|-----|----|----|----|-------|------|---|------------|
| DN8 | 1/4" | 9.5 | 85 | 151 | 61 | 9 | 36 | M5 | 10.1 | 7 | 6 | 5/16-18UNC |
| DN10 | 3/8" | 11.6 | 85 | 151 | 61 | 9 | 36 | M5 | 10.1 | 7 | 6 | 5/16-18UNC |
| DN15 | 1/2" | 12.5 | 85 | 151 | 61 | 9 | 36 | M5 | 10.1 | 7 | 6 | 5/16-18UNC |
| DN20 | 3/4" | 16 | 89 | 151 | 67 | 9 | 42 | M5 | 14.85 | 10.3 | 8 | 5/16-18UNC |
| DN25 | 1" | 20 | 102 | 183 | 81 | 9 | 42 | M5 | 12 | 10 | 8 | 5/16-18UNC |
| DN30 | 1 1/4" | 25 | 111 | 183 | 97 | 11 | 42 | M5 | 22.3 | 11.5 | 8 | 5/16-18UNC |
| DN40 | 1 1/2" | 32 | 119 | 285 | 113 | 14 | 50 | M6 | 33.2 | 17.5 | 8 | 3/8-16UNC |
| DN50 | 2" | 38 | 126 | 285 | 117 | 14 | 50 | M6 | 28 | 17.5 | 8 | 1/2-13UNC |