

Fig No: MD-52-600 Full Bore
1/2"~ 6" DN15 ~ DN150



Features:

- Investment Cast Components.
- Blow-Out-Proof Stem Design, Antistatic Device.
- Two Position Locking Device.
- Four Point ISO 5211 Mounting Pad Bolt Circle.
- Cast Bosses For Bleed / Drain Port.
- Available Carbon Or Stainless Body Construction.

Standards Compliance:

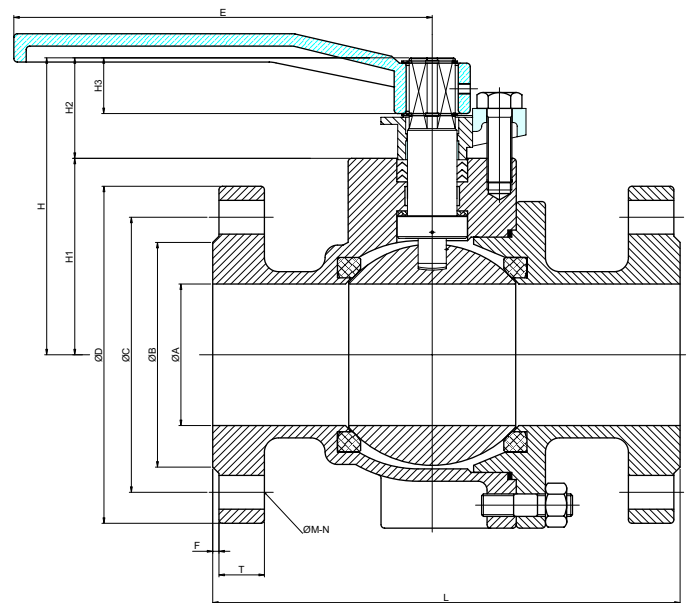
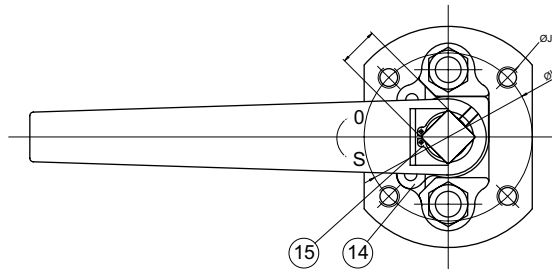
| | |
|-------------|-------------------|
| ASME B16.34 | MSS-SP-55 |
| ANSI B16.10 | MSS-SP-61 |
| ANSI B16.5 | API 598 MSS-SP-72 |

Specifications:

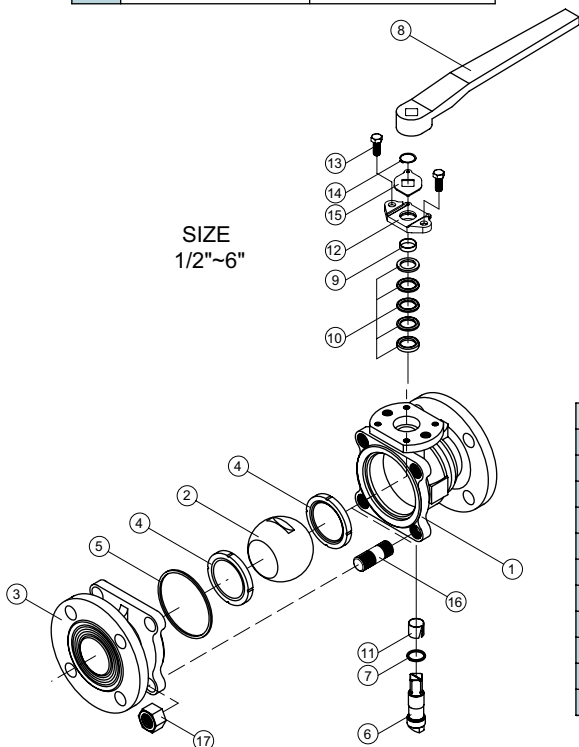
- Temperature range:-4 to 356°F (-20 to 180°C).
- 150 psig saturated steam.
- Face To Face:ANSI B16.10 Class 600
- Flange:ANSI B16.10 Class 600 Flanged Fitting

MATERIAL LIST

| NO. | PART NAME | MATERIAL |
|-----|---------------|-------------------|
| 1 | BODY | ASTM A351 Gr.CF8M |
| 2 | BALL | ASTM A351 Gr.CF8M |
| 3 | END CAP | ASTM A351 Gr.CF8M |
| 4 | SEAT | PTFE.+15%GF |
| 5 | BODY SEAL | PTFE. |
| 6 | STEM | SS316 |
| 7 | THRUST WASHER | PTFE. |
| 8 | HANDLE | FCD45 |
| 9 | BEARING | PTFE. |
| 10 | STEM PACKING | PTFE. |
| 11 | STEM BUSHING | PTFE. |
| 12 | GLAND | ASTM A351 Gr.CF8 |
| 13 | BOLT | SS304 |
| 14 | SNAP RING | SS304 |
| 15 | STOP PLATE | SS304 |
| 16 | STUD | SS304 |
| 17 | NUT | SS304 |



SIZE
1/2"~6"



DIMENSIONS

| Size | A | B | C | D | E | F | H | H1 | H2 | H3 | J | K | L | T | W | ØM-N |
|--------|-------|-------|-------|-------|-------|-----|-------|-------|------|------|-------|-------|-------|------|------|----------|
| 1/2" | 15.0 | 35.1 | 66.5 | 95.3 | 130.8 | 6.4 | 72.9 | 43.2 | 22.6 | 11.4 | 1/4" | 42.0 | 165.0 | 14.2 | 11.0 | Ø15.7-4 |
| 3/4" | 20.0 | 42.9 | 82.6 | 117.3 | 130.8 | 6.4 | 75.9 | 45.7 | 22.6 | 11.4 | 1/4" | 42.0 | 191.0 | 15.7 | 11.0 | Ø19.1-4 |
| 1" | 25.0 | 50.8 | 88.9 | 124.0 | 165.0 | 6.4 | 85.9 | 51.3 | 29.2 | 15.5 | 1/4" | 50.0 | 216.0 | 17.5 | 14.0 | Ø19.1-4 |
| 1-1/4" | 32.0 | 63.5 | 98.6 | 133.4 | 165.0 | 6.4 | 96.8 | 57.2 | 29.2 | 15.5 | 1/4" | 50.0 | 229.0 | 20.6 | 14.0 | Ø19.1-4 |
| 1-1/2" | 40.0 | 73.2 | 114.3 | 155.4 | 202.0 | 6.4 | 118.9 | 70.6 | 38.4 | 21.6 | 5/16" | 70.0 | 241.0 | 22.4 | 17.0 | Ø22.4-4 |
| 2" | 50.0 | 92.0 | 127.0 | 165.1 | 202.0 | 6.4 | 127.0 | 78.2 | 38.4 | 21.6 | 5/16" | 70.0 | 292.0 | 25.4 | 17.0 | Ø19.1-8 |
| 2-1/2" | 65.0 | 104.6 | 149.4 | 190.5 | 202.0 | 6.4 | 135.9 | 100.6 | 38.4 | 21.6 | 5/16" | 70.0 | 330.0 | 28.4 | 17.0 | Ø22.4-8 |
| 3" | 80.0 | 127.0 | 168.2 | 209.6 | 328.5 | 6.4 | 174.2 | 111.0 | 58.4 | 32.0 | 3/8" | 102.0 | 356.0 | 31.8 | 22.0 | Ø22.4-8 |
| 4" | 100.0 | 157.2 | 215.9 | 273.1 | 328.5 | 6.4 | 182.9 | 133.1 | 60.2 | 33.5 | 3/8" | 102.0 | 432.0 | 38.1 | 22.0 | Ø25.4-8 |
| 5" | 125.0 | 185.7 | 266.7 | 330.2 | 752.5 | 6.4 | 252.7 | 162.1 | 74.9 | 45.5 | 1/2" | 125.0 | 508.0 | 44.5 | 27.0 | Ø28.4-8 |
| 6" | 150.0 | 215.9 | 292.1 | 355.6 | 752.5 | 6.4 | 271.8 | 181.1 | 74.9 | 45.5 | 1/2" | 125.0 | 559.0 | 47.8 | 27.0 | Ø28.4-12 |