



# Two Piece Flanged Fire Safe Approved Ball Valve, Full Bore, ANSI#150 Hastelloy Material

**Fig No. MD-52FS Full Bore**  
**1/2" - 6" DN 15 ~ DN 150**



**Features :**

- API 607 4th Fire Safe Approved
- Investment casting component
- Blow out proof design
- ISO 5211 Mounting flange
- For General chemical and industrial application

**Standard Compliance :**

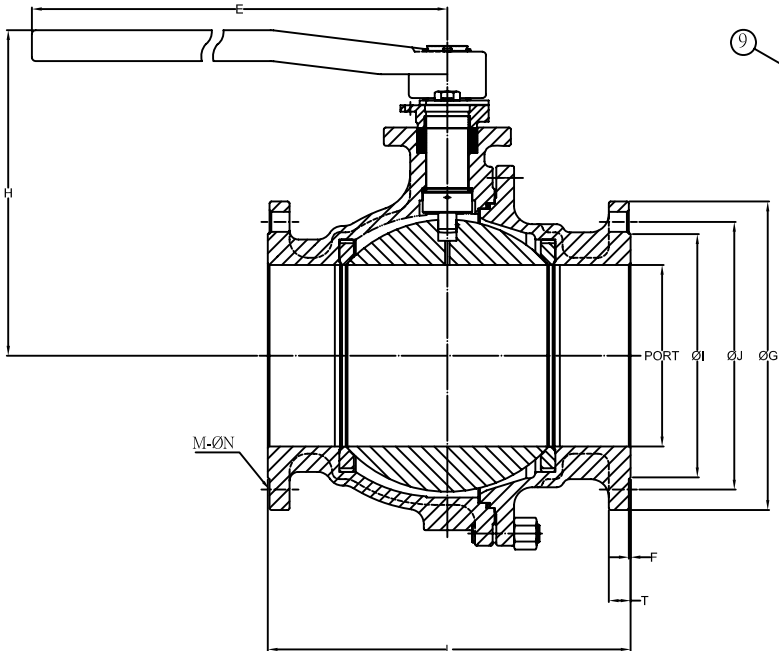
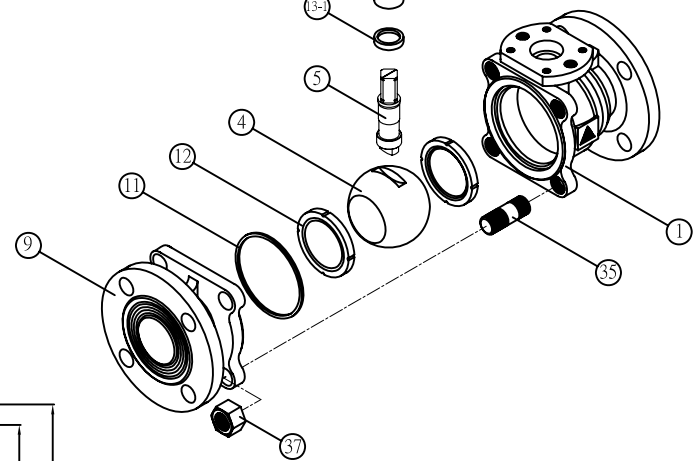
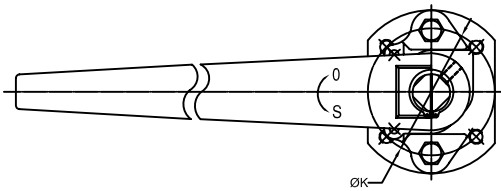
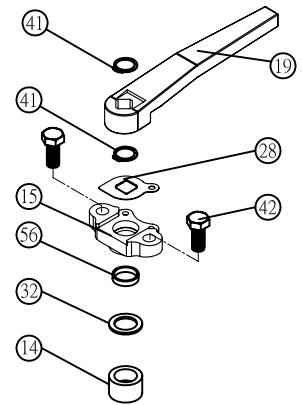
- Body wall thickness : B16.34
- Face to face length : ANSI B16.10 Class 150
- Flange dimension : ANSI B 16.5 Class 150
- Finish : 125-250 AARH
- Body Material : ASTM A494
- Pressure testing : EN 12266

**Specification :**

- End connection : Flanged RF end
- Working pressure : 230 psi ( CWP )
- Temperature : -20 ~ 180°C

**MATERIALS LIST**

NO.	PART NAME	MATERIAL
1	BODY	ASTM A494 Gr. CW12MW
4	BALL	ASTM A494 Gr. CW12MW
5	STEM	ASTM A494 Gr. CW12MW
9	END CAP	ASTM A494 Gr. CW12MW
11	BODY SEAL	316/GRAPHITE
12	SEAT	RPTFE.
13	THRUST WASHER	GRAPHITE
13-1	THRUST WASHER	PTFE.
14	STEM PACKING	GRAPHITE
15	GLAND	ASTM A351 Gr.CF8
19	HANDLE	FCD45
28	STOP PLATE	SS304
32	PACKING FOLLWER	PTFE.
35	STUD	SS304
37	BOLT NUT	SS304
41	SNAP RING	SS304
42	GLAND BOLT	SS304
56	BEARING	PTFE.



**DIMENSIONS**

SIZE	PORT	L	E	H	ØG	ØJ	ØI	T	F	M	ØN	ØK	
DN15	1/2"	15.0	108.0	130.8	77.7	89.0	60.5	35.0	11.6	2.0	4	16.0	42.0
DN20	3/4"	20.0	117.0	130.8	80.2	98.0	70.0	43.0	11.6	2.0	4	16.0	42.0
DN25	1"	25.4	127.0	163.0	92.1	108.0	79.5	51.0	12.0	2.0	4	16.0	50.0
DN32	1-1/4"	32.0	140.0	163.0	96.8	117.5	88.5	63.5	13.3	2.0	4	16.0	50.0
DN40	1-1/2"	38.0	165.0	202.0	130.4	127.0	98.5	73.0	15.2	2.0	4	16.0	70.0
DN50	2"	50.0	178.0	202.0	137.9	152.0	120.5	92.0	16.3	2.0	4	19.0	70.0
DN65	2-1/2"	63.0	190.0	202.0	160.5	178.0	139.5	105.0	18.0	2.0	4	19.0	70.0
DN80	3"	80.0	203.0	323.5	174.7	190.5	152.5	127.0	19.5	2.0	4	19.0	102.0
DN100	4"	98.0	229.0	323.5	197.0	229.0	190.5	157.0	24.3	2.0	8	19.0	102.0
DN125	5"	125.0	356.0	752.5	249.0	254.0	216.0	186.0	24.5	2.0	8	22.0	125.0
DN150	6"	152.0	394.0	752.5	267.5	279.0	241.5	216.0	25.8	2.0	8	22.0	125.0