

Fig no. YF-300

1/2" - 12" DN15-300



Features :

- Sand Castings Component
- Bolted cover for DN50 & above,
- Screwed cover for smaller sizes
- Covers furnished with blow-off plug.
- For general industrial and chemical application
- Carbon steel available upon available

Standard Compliance :

- Body wall thickness : B 16.34
- Face to Face : ANSI B 16.10 Class 300
- Flange dimension : ANSI B16.5 Class 300
- Body Material : ASTM A351
- Pressure testing : EN 12266

Specification :

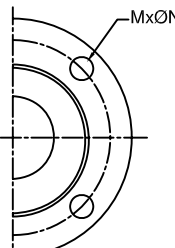
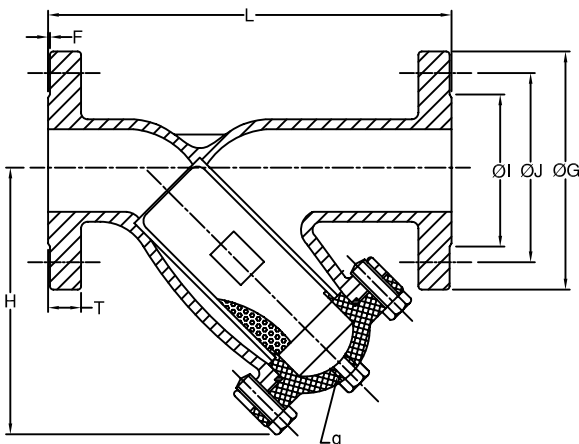
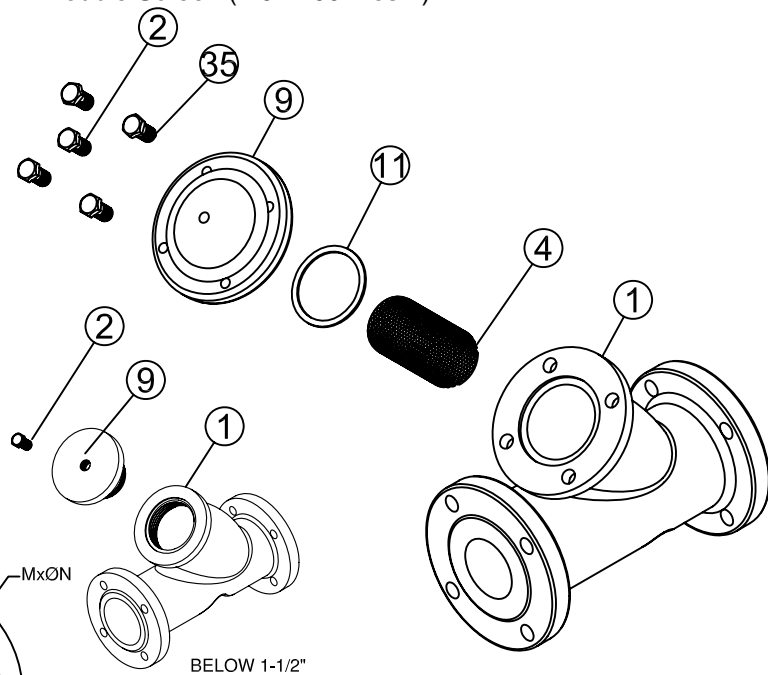
- End connection : Flange RF
- Working pressure : 720 psi (CWP)
- Temperature : -20 ~ 180°C

Options :

- Double Screen (40 ~200 mesh)

MATERIALS LIST

NO.	PART NAME	MATERIAL
1	BODY	ASTM A351 Gr.CF8M
2	PLUG	ASTM A351 Gr.CF8M
4	SCREEN	SS304
9	CAP	ASTM A351 Gr.CF8M
11	BODY SEAL	PTFE.
35	BOLT	ASTM A193 Gr.B8



DIMENSIONS

SIZE	L	H	ØG	ØJ	ØI	T	F	M	ØN	g
DN15 1/2"	157.0	68.0	95.0	66.7	35.0	14.3	1.6	4	15.0	1/4"
DN20 3/4"	196.0	81.0	117.0	82.5	43.0	15.9	1.6	4	19.0	1/4"
DN25 1"	193.0	98.0	124.0	89.0	50.8	17.5	1.6	4	19.0	1/4"
DN40 1-1/2"	192.0	109.0	156.0	114.3	73.0	20.7	1.6	4	22.0	1/4"
DN50 2"	230.0	140.0	165.0	127.0	92.0	22.3	1.6	8	22.0	1/2"
DN65 2-1/2"	275.0	179.0	191.0	149.0	104.8	25.4	1.6	8	22.0	3/4"
DN80 3"	328.0	228.0	210.0	168.0	127.0	28.6	1.6	8	22.0	1"
DN100 4"	372.0	300.0	254.0	200.0	157.0	31.8	1.6	8	22.0	1-1/2"
DN125 5"	495.0	300.0	279.0	235.0	185.7	35.0	1.6	8	22.0	2"
DN150 6"	502.0	350.0	318.0	270.0	216.0	36.3	1.6	12	22.0	2"
DN200 8"	650.0	420.0	381.0	330.0	270.0	41.3	1.6	12	25.0	2"
DN250 10"	700.0	498.0	445.0	387.3	323.8	47.7	1.6	16	29.0	2"
DN300 12"	820.0	575.0	520.0	450.8	381.0	50.8	1.6	16	32.0	2"



BELOW 1-1/2"