

Fig no. HPV-41S Full Bore
1/4" ~ 2" DN 8- DN 50



Features :

Bar material ball valve, ISO 5211 Mounting Flange
 Blow out proof stem, Anti-static design
 360 degree rotation design
 For Chemical, Industrial Application, In-line Maintenance
 Super Alloy upon request

Standard Compliance :

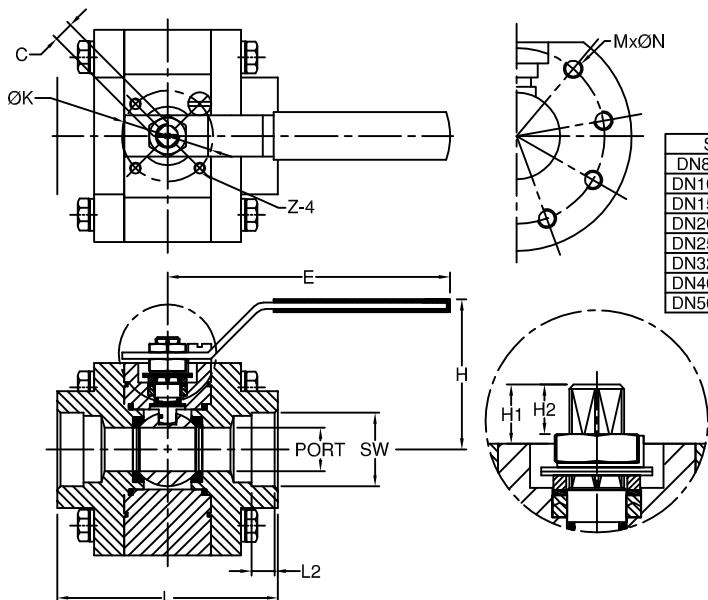
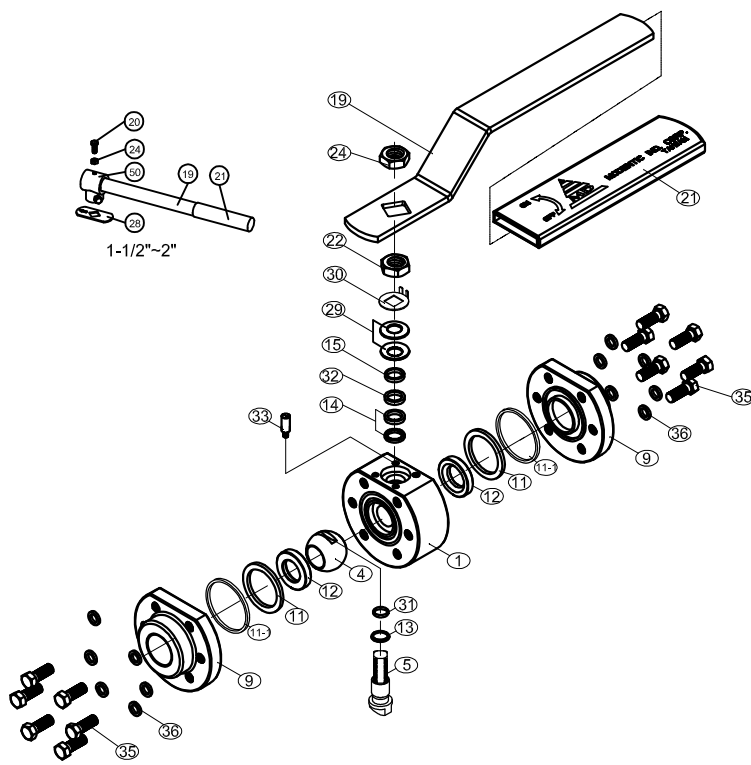
Body wall thickness : EN 12516-1/2
 Socket weld end : EN B16.11
 Face to Face : MD's standard
 Body material : EN1503-1
 Pressure testing : EN 12266

Specification :

End connection : Socket Weld End
 Working Pressure : 420 bar (CWP)
 Temperature : -20 to 80°C for Delrin
 -20 to 250°C for Peek

MATERIALS LIST

NO.	PART NAME	MATERIAL
1	BODY	1.4401/EN1503-1
4	BALL	ASTM A351 Gr.CF8M
5	STEM	17-4PH
9	END CAP	1.4401/EN1503-1
11	BODY SEAL	DELRIN/GRAPHITE
11-1	BODY SEAL	PTFE.
12	SEAT	DELRIN/PEEK
13	THRUST WASHER	DELRIN/PEEK
14	STEM PACKING	PTFE.+25%C.F.
15	GLAND BUSH	SS304
19	HANDLE	SS304
20	SET SCREW	SS304
21	HANDLE COVER	PLASTIC
22	STEM NUT	SS304
24	HANDLE NUT	ASTM A2 70
28	STOP PLATE	SS304
29	BELLEVILLE WASHER	SS304-CSP
30	TAB WASHER	SS304
31	O-RING	VITON
32	PACKING FOLLOWER	TFM1600
33	STOP PIN	SS304
35	BODY BOLT	ASTM A2 70
36	BOLT WASHER	SS304
50	STEM ADAPTER	SS304



DIMENSIONS

SIZE	PORT	L	L2	E	H	H1	H2	C	M	ØN	ØK	Z	SW
DN8	1/4"	9.5	85.0	10.0	151.0	61.0	10.1	7.0	9.0	6	5/16"-18UNC	M5	14.0
DN10	3/8"	11.6	85.0	10.0	151.0	61.0	10.1	7.0	9.0	6	5/16"-18UNC	M5	17.6
DN15	1/2"	16.0	89.0	10.0	151.0	67.0	14.85	10.3	9.0	8	5/16"-18UNC	M5	21.7
DN20	3/4"	20.0	102.0	13.0	183.0	81.0	12.0	10.0	9.0	8	5/16"-18UNC	M5	27.3
DN25	1"	25.0	111.0	13.0	183.0	97.0	22.3	11.5	11.0	8	5/16"-18UNC	M5	33.9
DN32	1-1/4"	32.0	119.0	13.0	285.0	113.0	33.2	17.5	14.0	8	3/8"-16UNC	M6	42.8
DN40	1-1/2"	38.0	126.0	13.0	285.0	117.0	28.0	17.5	14.0	8	1/2"-13UNC	M6	48.7
DN50	2"	50.0	148.0	16.0	285.0	125.0	28.0	17.5	14.0	8	9/16"-12UNC	M6	61.0

unit:mm