

Fig no. K-364L/T Full Bore
1/4" ~ 1-1/2" DN 8- DN 40



Features :

Investment Casting, ISO 5211 Mounting Pad
 Blow out proof stem 360 degree rotation design
 For Chemical, Industrial Application
 Clamp end also available for Sanitary application
 Carbon Steel or Super Alloy upon request

Standard Compliance :

Body wall thickness : EN 12516-1/3
 Threaded end : BS 21 (BSP)
 BSPT
 ISO 228-1G
 DIN 2999
 ISO 7-1Rp

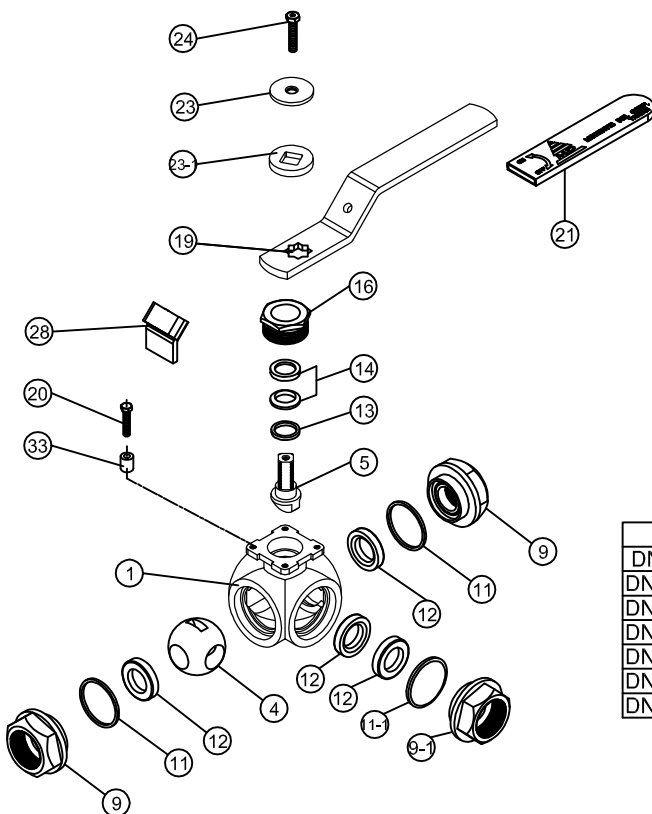
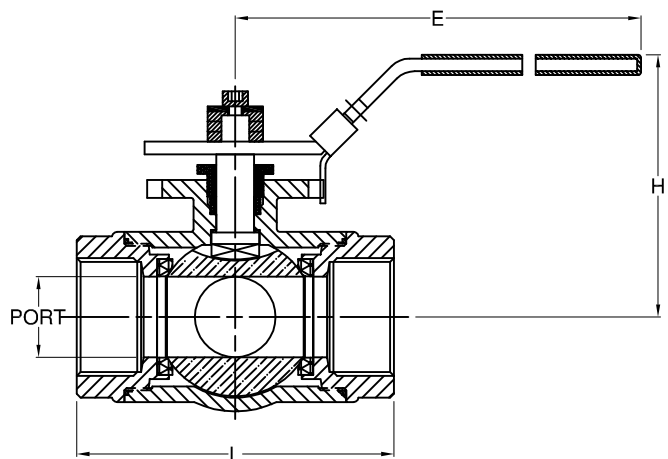
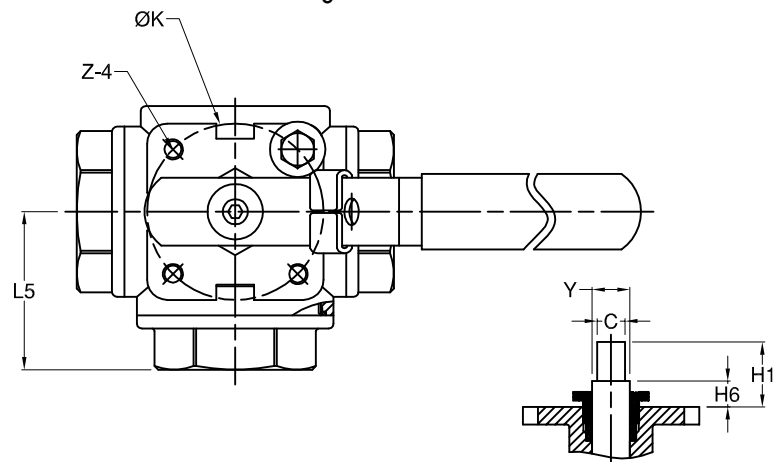
Face to Face : MD's standard
 Body material : EN1503-1
 Pressure testing : EN 12266

Specification :

End connection : Threaded end
 Working Pressure : 63 bar (CWP)
 Temperature : -20 to 180° C

MATERIALS LIST

NO.	PART NAME	MATERIAL
1	BODY	1.4408/EN1503-1
4	BALL	ASTM A351 Gr.CF8M
5	STEM	SS316
9	END CAP	1.4408/EN1503-1
9-1	END CAP	1.4408/EN1503-1
11	BODY SEAL	PTFE.
11-1	BODY SEAL	PTFE.
12	SEAT	PTFE.
13	THRUST WASHER	PTFE.
14	STEM PACKING	PTFE.
16	GLAND NUT	SS304
19	HANDLE	SS304
20	SCREW	SS304
21	HANDLE COVER	PLASTIC
23	WASHER	SS304
23-1	WASHER	SS304
24	HANDLE NUT	SS304
28	LOCKING DEVICE	SS304
33	STOP PIN	SS304



DIMENSIONS

SIZE	PORT	L	L5	E	H	H1	H6	C	Y	ØK	Z-4	unit:mm
DN8	1/4"	11.0	69.3	34.7	132.0	58.0	10.35	5.35	9.0	12.0	42.0	M5*0.8
DN10	3/8"	11.0	69.3	34.7	132.0	58.0	10.35	5.35	9.0	12.0	42.0	M5*0.8
DN15	1/2"	16.0	86.6	44.7	180.0	82.0	13.85	6.85	11.0	15.0	50.0	M6*1.0
DN20	3/4"	20.0	103.0	50.8	180.0	87.5	20.0	8.5	11.0	15.0	50.0	M6*1.0
DN25	1"	25.0	118.2	57.7	180.0	93.0	19.35	7.85	11.0	15.0	50.0	M6*1.0
DN32	1-1/4"	32.0	125.8	62.6	210.0	104.0	25.75	10.25	11.0	15.0	70.0	M8*1.25
DN40	1-1/2"	38.0	149.0	74.3	225.0	112.0	25.25	9.75	14.0	18.5	70.0	M8*1.25