

Fig no. K-338L/T Full Bore
1/4" ~ 2" DN 8- DN 50



Features :

- Investment Casting, Four Seat & Screwed Body Design
- Blow out proof stem, Direct Mounting to Actuator
- 360 degree rotation design
- For Chemical, Industrial Application
- Clamp end also available for Sanitary application
- Carbon Steel or Super Alloy upon request

Standard Compliance :

- Body wall thickness : EN 12516-1/3
- Threaded end : BS 21 (BSP)
- BSPT
- ISO 228-1G
- DIN 2999
- ISO 7-1Rp

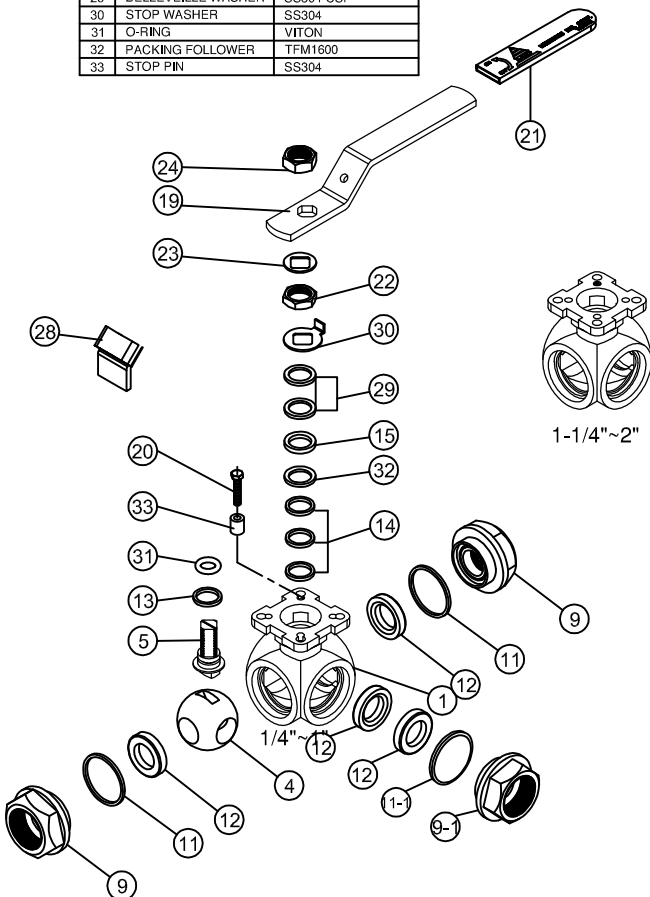
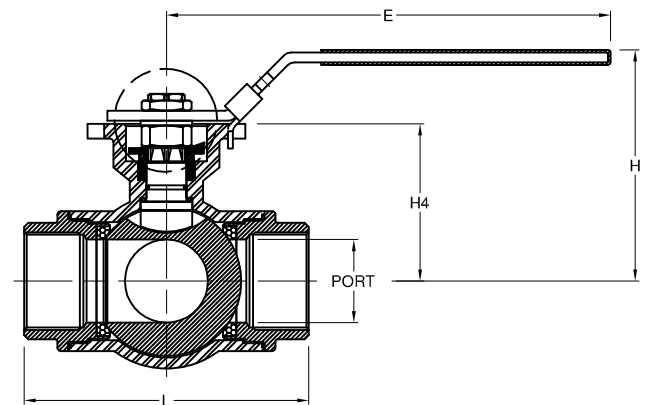
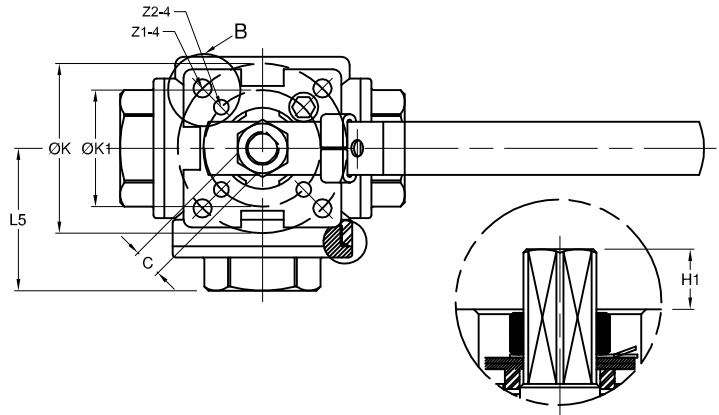
- Face to Face : MD's standard
- Pressure testing : EN 12266
- Body material : EN1503-1

Specification :

- End connection : Threaded end
- Working Pressure : 63 bar (CWP)
- Temperature : -20 to 180 °C

MATERIALS LIST

NO.	PART NAME	MATERIAL
1	BODY	1.4408/EN1503-1
4	BALL	ASTM A351 Gr.CF8M
5	STEM	SS316
9	END CAP	1.4408/EN1503-1
9-1	END CAP	1.4408/EN1503-1
11	BODY SEAL	PTFE.
11-1	BODY SEAL	PTFE.
12	SEAT	PTFE.
13	THRUST WASHER	PTFE.
14	STEM PACKING	PTFE.
15	GLAND BUSH	SS304
19	HANDLE	SS304
20	SCREW	SS304
21	HANDLE COVER	PLASTIC
22	STEM NUT	SS304
23	SPRING WASHER	SS304
24	HANDLE NUT	SS304
28	LOCKING DEVICE	SS304
29	BELLEVEILLE WASHER	SS304-CSP
30	STOP WASHER	SS304
31	O-RING	VITON
32	PACKING FOLLOWER	TFM1600
33	STOP PIN	SS304



DIMENSIONS

SIZE	PORT	L	L5	E	H	H1	H4	C	ØK	ØK1	Z1	Z2
DN8	1/4"	11.0	75.7	38.3	132.0	64.9	8.2	36.8	9.0	42.0	36.0	6.0
DN10	3/8"	11.0	75.7	38.3	132.0	64.9	8.2	36.8	9.0	42.0	36.0	6.0
DN15	1/2"	16.0	86.6	44.7	132.0	71.6	9.0	44.1	9.0	42.0	36.0	6.0
DN20	3/4"	20.0	103.0	50.8	180.0	94.3	11.5	55.1	11.0	50.0	42.0	7.0
DN25	1"	25.0	118.2	57.7	180.0	100.0	11.5	60.7	11.0	50.0	42.0	7.0
DN32	1-1/4"	32.0	125.8	62.6	225.0	115.7	15.1	75.2	14.0	70.0	50.0	9.0
DN40	1-1/2"	38.0	149.0	74.3	225.0	124.9	15.1	84.4	14.0	70.0	50.0	9.0
DN50	2"	50.0	171.2	85.6	267.0	139.0	18.0	94.6	17.0	102.0	70.0	11.0

unit:mm