

**Fig no. K-435 L/T/X Standard Bore**  
1/4" ~ 2" DN 8- DN 50



**Features :**

Investment Casting, Four Seat & Screwed Body Design  
Blow out proof stem, Direct Mounting to Actuator  
360 degree rotation design  
For Chemical, Industrial Application  
Clamp end also available for Sanitary application  
Carbon Steel or Super Alloy upon request

**Standard Compliance :**

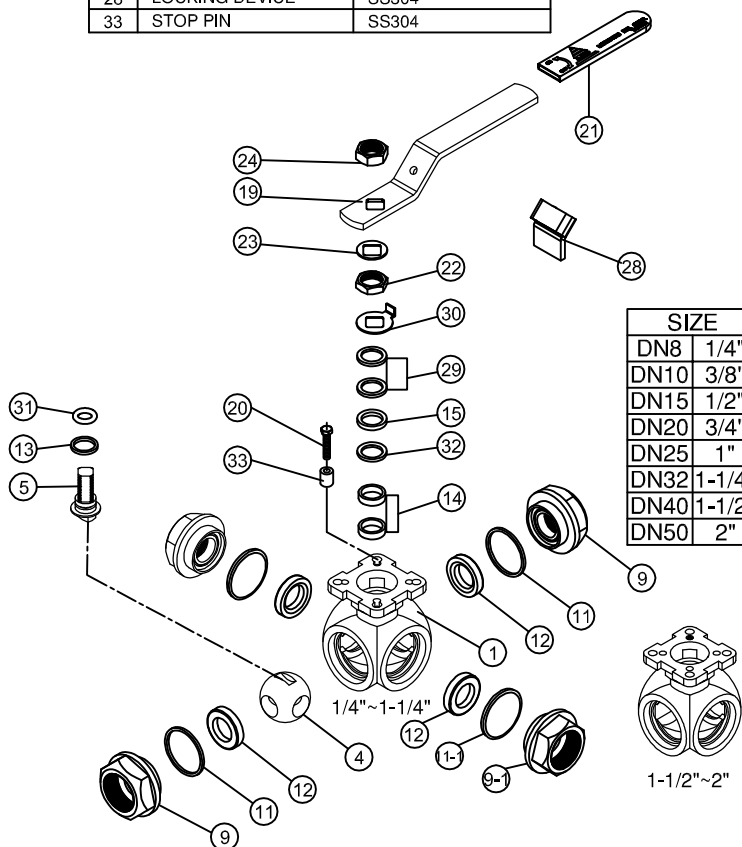
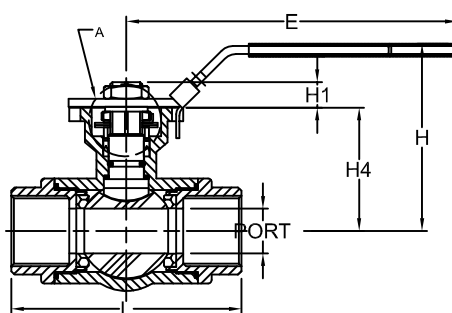
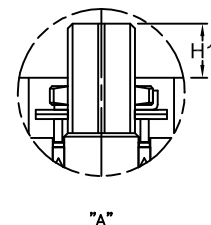
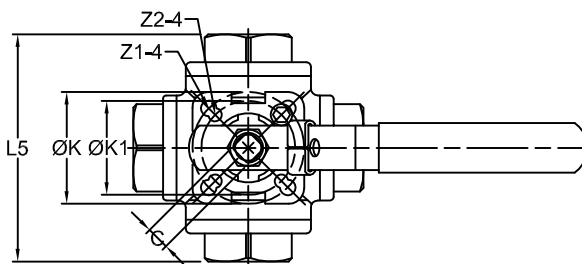
Body wall thickness : EN 12516-1/3  
Threaded end : BS 21 (BSP)  
BSPT  
ISO 228-1G  
DIN 2999  
ISO 7-1Rp  
Face to Face : MD's standard  
Body material : EN1503-1  
Pressure testing : EN 12266

**Specification :**

End connection : Threaded end  
Working Pressure : 63 bar ( CWP )  
Temperature : -20 to 180°C

**MATERIALS LIST**

NO.	PART NAME	MATERIAL
1	BODY	1.4408/EN1503-1
4	BALL	ASTM A351 Gr.CF8M
5	STEM	SS316
9	END CAP	1.4408/EN1503-1
9-1	END CAP	1.4408/EN1503-1
11	BODY SEAL	PTFE.
11-1	BODY SEAL	PTFE.
12	SEAT	PTFE.
13	THRUST WASHER	PTFE.
14	STEM PACKING	PTFE.
16	GLAND NUT	SS304
19	HANDLE	SS304
20	SCREW	SS304
21	HANDLE COVER	PLASTIC
23	WASHER	SS304
23-1	WASHER	SS304
24	HANDLE NUT	SS304
28	LOCKING DEVICE	SS304
33	STOP PIN	SS304



**DIMENSIONS**

SIZE	PORT	L	L5	E	H	H1	H4	C	ØK	ØK1	Z1	Z2	unit:mm
DN8	1/4"	11.0	75.7	76.5	132.0	64.9	8.2	36.8	9.0	42.0	36.0	6.0	6.0
DN10	3/8"	11.0	75.7	76.5	132.0	64.9	8.2	36.8	9.0	42.0	36.0	6.0	6.0
DN15	1/2"	12.5	75.7	76.5	132.0	64.9	8.2	36.8	9.0	42.0	36.0	6.0	6.0
DN20	3/4"	16.0	86.6	89.2	132.0	71.6	9.0	44.1	9.0	50.0	36.0	6.0	6.0
DN25	1"	20.0	103.0	101.6	180.0	94.3	11.5	55.1	11.0	50.0	42.0	7.0	6.0
DN32	1-1/4"	25.0	118.2	115.4	180.0	100.0	11.5	60.7	11.0	50.0	42.0	7.0	6.0
DN40	1-1/2"	32.0	125.8	125.2	225.0	115.7	15.1	75.2	14.0	70.0	50.0	9.0	7.0
DN50	2"	38.0	149.0	148.6	225.0	124.9	15.1	84.4	14.0	70.0	50.0	9.0	7.0