



Fig No: MD-67-150 Reduced Bore

3"x2"~20"x16"



Feature:

Design: API6D, ASME B16.34, API607/ API6FA fire safe design
 Side entry ball
 Anti-static design, Anti blow-out-stem
 Carbon steel or special alloy upon request
 Cast steel are also supplied in full compliance with NACE MR0175

Service:

General, Low Temperature, Cryogenic, Sub sea, Oil & Gas application, High temperature, Underground

Design:

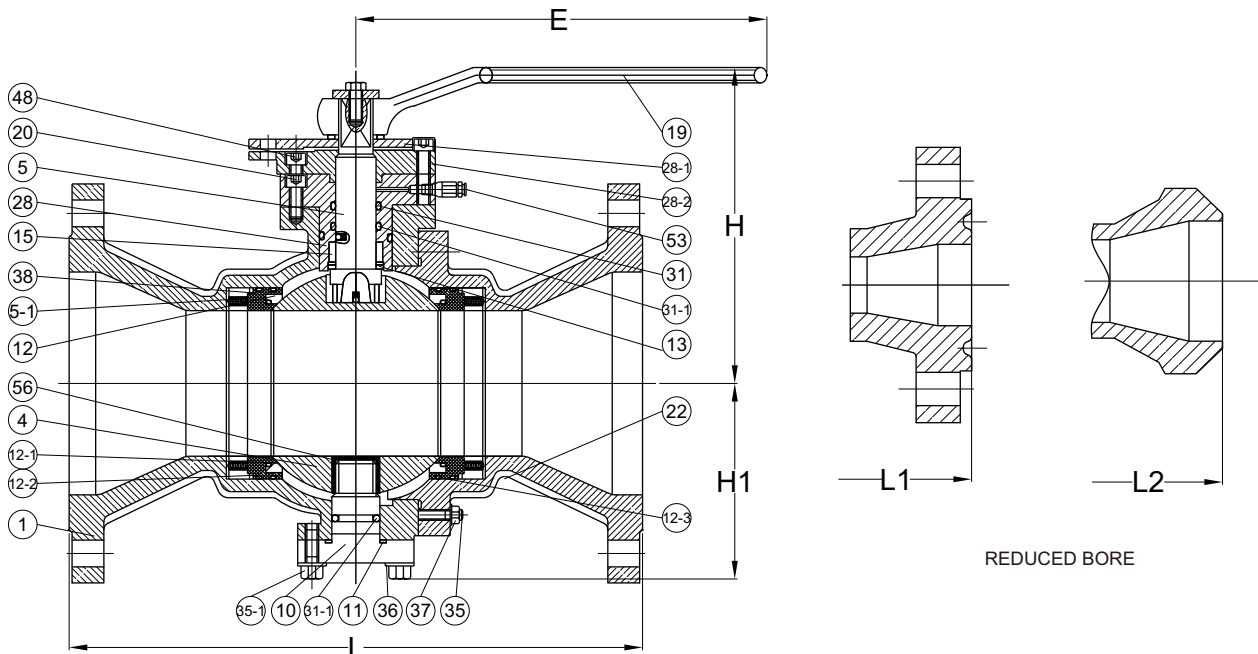
2-pc Design, by casting
 Reduced Bore
 Face to face: ASME B16.10
 Flange connection: ASME B16.5 Class 150 RF (Above size 26", which would compliance with ASME B16.47)
 Pressure-Temperature Rating: ASME/ANSI B16.34
 Testing and inspection: API6D, API598

- Automatically Drain Plug (NPT) on Body(2"~4" - option, Upward 6" - Basic function)
 - Double bleed and Block(2"~4" - option, Upward 6" - Basic function)
 - Sealant Emergently Injection Fittings(2"~4" - option, Upward 6" - Basic function)
- Testing and inspection: API6D, API598

Options:

- With Locking Device
- Extended Stem (Cryogenic application)
- Actuator installation
- Gear Box

Size: 3" x 2" ~8" x 4"



REDUCED BORE



Fig No: MD-67-150 Reduced Bore

MATERIALS LIST

NO.	DESCRIPTION	MATERIAL
1	BODY	A216-WCB,WCC,A352-LCB,A351-CF8,CF8M,CF3,CF3M,CN7M,CF8C,CDMCu,CN-3MN
4	BALL	A105+ENP,A182-F6,F304,F316,F304L,F316L,F321,F51,F53,ALLOY-20
5	STEM	1045+ENP,A182-F6,F304,F316,F304L,F316L,F321,F51,F53,ALLOY-20,4140+ENP,17-4PH
5-1	SPRING	SS304,INCONEL,1566+ENP
5-2	TRUNNION	1045+ENP,A182-F6,F304,F316,F304L,F316L,F321,F51,F53,ALLOY-20,4140+ENP,17-4PH
9	CAP	A216-WCB,WCC,A352-LCB,A351-CF8,CF8M,CF3,CF3M,CN7M,CF8C,CD4MCu,CN-3MN
11	GASKET	SS304,SS316+FLEXIBLE GRAPHITE
12	SEAT	PTFE,RPTFE,NYLON,PEEK,PPL,POM, KARBATE,MOLON,DEVLON
12-1	SEALING RING	FLEXIBLE GRAPHITE
12-2	SEALING RING	SS304,SS316+FLEXIBLE GRAPHITE SPIRAL WOUND
12-3	O-RING	VITON
13	THRUST WASHER	PTFE,RPTFE,STAINLESS STEEL+N
15	PACKING	FLEXIBLE GRAPHITE
19	LEVER	A216-WCB+1020
20	SCREW	1035,STAINLESS STEEL
28	STUFFING BOX	A105+ENP,A182-F6,F304,F316,F304L,F316L,F321,F51,F53,ALLOY-20
28-1	LIMITED PLATE	1035,STAINLESS STEEL
28-2	CONNECTING PLATE	1025,A216-WCB,A351-CF8
31	O-RING	VITON
31-1	O-RING	NBR,VITON
31-2	O-RING	NBR,VITON
35	BOLT	A193-B7,B7M,B8,B8M
35-1	SCREW	PL1035,STAINLESS STEEL
36	ADJUST WASHER	PTFE,1045+RPTFE,STAINLESS STEEL+RPTFE
37	NUT	A194-2H,2HM,8,8M
38	SEAT RING	A105+ENP,A182-F6,F304,F316,F304L,F316L,F321,F51,F53,ALLOY-20
48	PIN	ANSI 1566
53	OIL CUP	1025,SS304
56	BEARING	1045+RPTFE,SS304+RPTFE,SS316+RPTFE

ANSI CLASS 150 DIMENSIONS

unit:mm

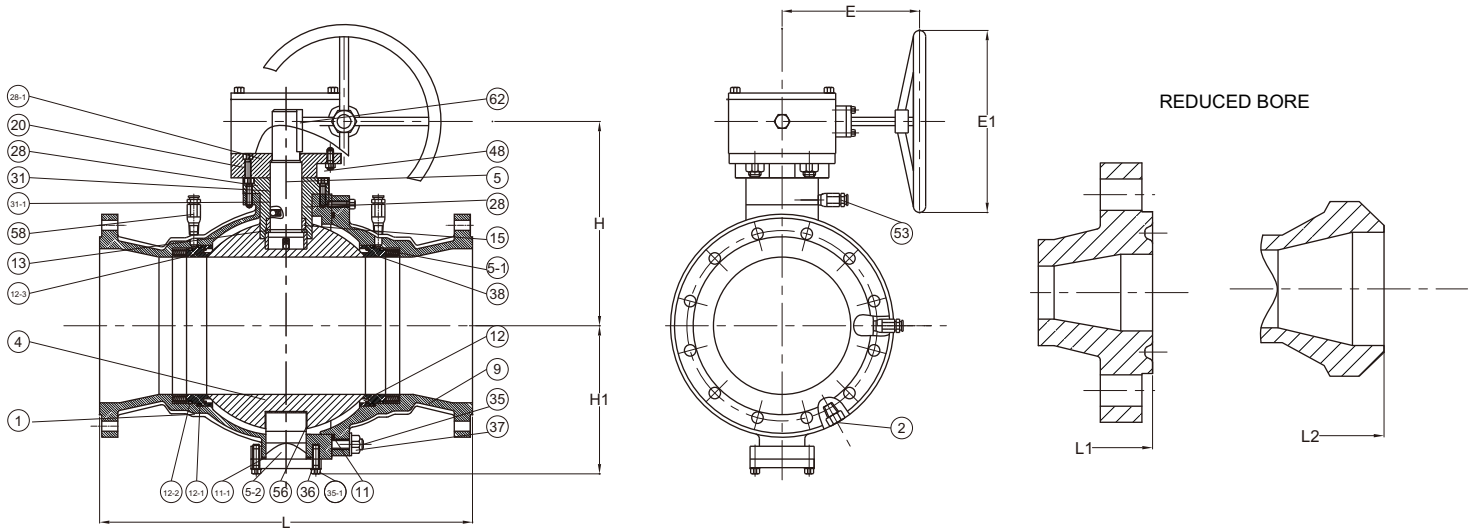
SIZE	L	L1	L2	E	H	H1	Wt (kg)
3x2" (R)	203.0	216.0	283.0	250.0	168.0	83.0	11.7
3x2-1/2" (G)	203.0	216.0	283.0	300.0	175.0	102.0	15.0
4x2-1/2" (R)	229.0	241.0	305.0	300.0	175.0	102.0	16.7
4x3" (G)	229.0	241.0	305.0	350.0	186.0	117.0	25.0
6x3" (R)	394.0	406.0	457.0	350.0	186.0	117.0	31.3
6x4" (G)	394.0	406.0	457.0	450.0	225.0	141.0	42.5
8x4" (R)	457.0	470.0	521.0	450.0	225.0	141.0	51.5

* (R) Reduce Bore (G) Regular Bore



Fig No: MD-67-150 Reduced Bore

Size: 8" x 6" ~ 20" x 16"



MATERIALS LIST

NO.	PART NAME	MATERIAL
1	BODY	A216-WCB,WCC,A352-LCB,A351-CF8,CF8M,CF3,CF3M,CN7M,CF8C,CDMCu,CN-3MN
2	DRAIN VALVE AND PLUG	1025,SS304,SS316,SS304L,SS316L,SS321,F51,F53
4	BALL	A105+ENP,A182-F6,F304,F316,F304L,F316L,F321,F51,F53,ALLOY-20
5	STEM	1045+ENP,A182-F6,F304,F316,F304L,F316L,F321,F51,F53,ALLOY-20,4140+ENP,17-4PH
5-1	SPRING	SS304,INCONEL,1566+ENP
5-2	TRUNNION	1045+ENP,A182-F6,F304,F316,F304L,F316L,F321,F51,F53,ALLOY-20,4140+ENP,17-4PH
9	CAP	A216-WCB,WCC,A352-LCB,A351-CF8,CF8M,CF3,CF3M,CN7M,CF8C,CD4MCu,CN-3MN
11	GASKET	SS304,SS316+FLEXIBLE GRAPHITE
11-1	O-RING	NBR,VITON
12	SEAT	PTFE,RPTFE,NYLON,PEEK,PPL,POM, KARBATE,MOLON,DEVLON
12-1	SEALING RING	FLEXIBLE GRAPHITE
12-2	SEALING RING	SS304,SS316+FLEXIBLE GRAPHITE SPIRAL WOUND
12-3	O-RING	VITON
13	THRUST WASHER	PTFE,RPTFE,STAINLESS STEEL+N
15	PACKING	FLEXIBLE GRAPHITE
20	SCREW	1035,STAINLESS STEEL
28	STUFFING BOX	A105+ENP,A182-F6,F304,F316,F304L,F316L,F321,F51,F53,ALLOY-20
28-1	CONNECTING PLATE	1025,A216-WCB,A351-CF8
31	O-RING	VITON
31-1	O-RING	NBR,VITON
35	BOLT	A193-B7,B7M,B8,B8M
35-1	SCREW	PL1035,STAINLESS STEEL
36	ADJUST WASHER	PTFE,1045+RPTFE,STAINLESS STEEL+RPTFE
37	NUT	A194-2H,2HM,8,8M
38	SEAT RING	A105+ENP,A182-F6,F304,F316,F304L,F316L,F321,F51,F53,ALLOY-20
48	PIN	ANSI 1566
53	OIL CUP	1025,SS304
56	BEARING	1045+RPTFE,SS304+RPTFE,SS316+RPTFE
58	GREASE FITTING	1025,SS304,SS316,SS304L,SS316L,SS321,ALLOY-20,F51,F53
62	KEY	1045



API 6D Trunnion Mounted Ball Valve

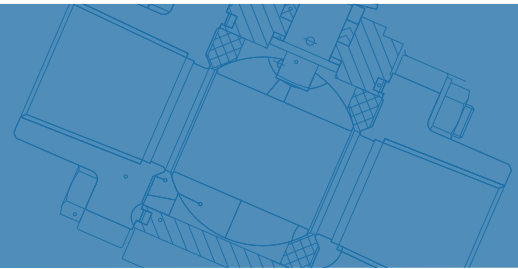


Fig No: MD-67-150 Reduced Bore

ANSI CLASS 150 DIMENSIONS

unit:mm

SIZE	L	L1	L2	E	E1	H	H1	Wt(kg)
8x6" (G)	457.0	470.0	521.0	254.0	300.0	280.0	193.0	83.0
10X6" (R)	533.0	546.0	559.0	254.0	300.0	280.0	193.0	95.2
10X8" (G)	533.0	546.0	559.0	254.0	300.0	345.0	217.0	123.4
12X8" (R)	610.0	622.0	635.0	254.0	300.0	345.0	217.0	142.0
12X10" (G)	610.0	622.0	635.0	270.0	300.0	395.0	270.0	235.0
14X10" (R)	686.0	699.0	762.0	270.0	300.0	395.0	270.0	253.0
16x10" (R)	762.0	775.0	838.0	270.0	300.0	395.0	270.0	277.0
14X12" (G)	686.0	699.0	762.0	320.0	300.0	527.0	323.0	402.0
16X12" (G)	762.0	775.0	838.0	320.0	300.0	527.0	323.0	426.0
18X12" (R)	864.0	876.0	914.0	320.0	300.0	527.0	323.0	450.0
16X14" (G)	762.0	775.0	838.0	380.0	400.0	570.0	355.0	481.0
18X14" (G)	864.0	876.0	914.0	380.0	400.0	570.0	355.0	505.0
20X14" (R)	914.0	927.0	991.0	380.0	400.0	570.0	355.0	536.0
18X16"	864.0	876.0	914.0	430.0	450.0	498.0	398.0	765.0
20X16"	914.0	927.0	991.0	430.0	450.0	498.0	398.0	832.0

* (R) Reduce Bore (G) Regular Bore

* Modentic Reserves The Rights To Change Any Details Without Prior Notice.