



**Fig No: MD-65-1500**

**2" ~ 24" ( 3" x 2" ~ 24"x20" )**



**Feature:**

Design: API6D, ASME B16.34, API607/ API6FA fire safe design  
 Side entry ball  
 Anti-static design, Anti blow-out-stem  
 Carbon steel or special alloy upon request  
 Cast steel are also supplied in full compliance with NACE MR0175

**Service:**

General, Low Temperature, Cryogenic, Sub sea, Oil & Gas application, High temperature, Underground

**Design:**

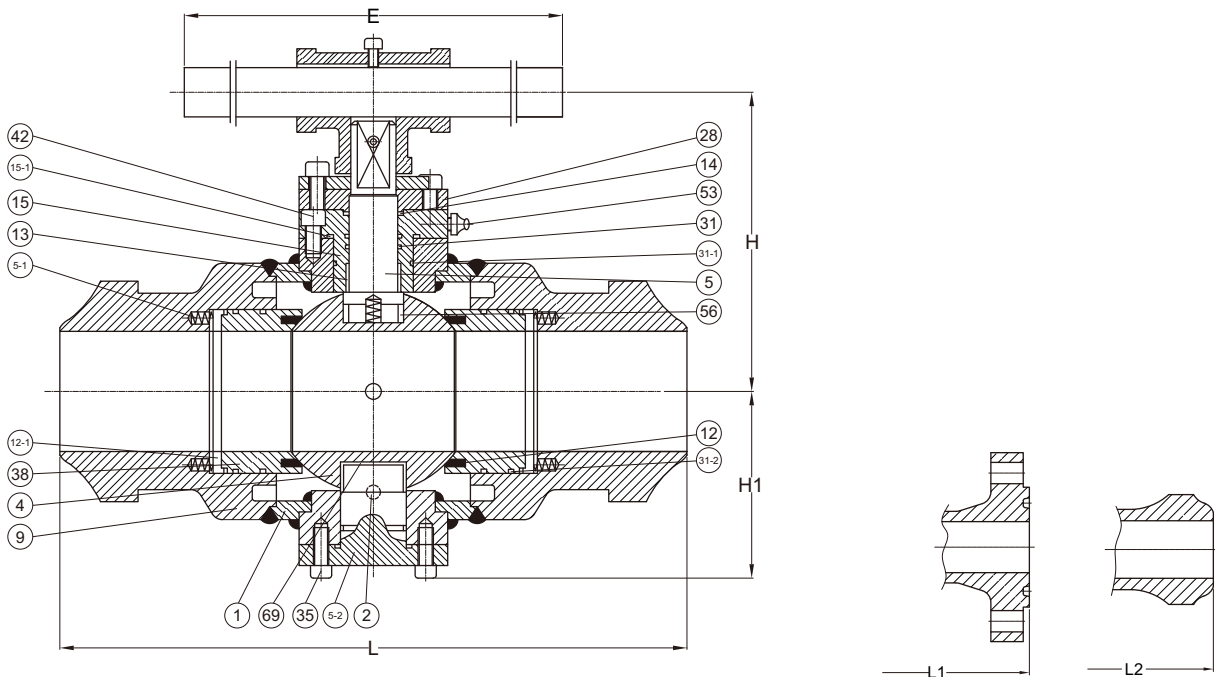
3-pc Design, by forged  
 Full Bore or Reduce Bore  
 Face to face: ASME B16.10  
 Butt Weld connection: ASME B16.25  
 Pressure-Temperature Rating: ASME/ANSI B16.34  
 Testing and inspection: API6D, API598

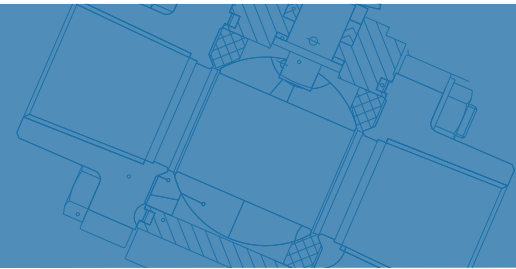
- Automatically Drain Plug (NPT) on Body( 2"~4" - option, Upward 6" - Basic function )
- Double bleed and Block( 2"~4" - option, Upward 6" - Basic function )
- Sealant Emergently Injection Fittings( 2"~4" - option, Upward 6" - Basic function )

**Options:**

- With Locking Device
- Extended Stem ( Cryogenic application )
- Actuator installation
- Gear Box

Size:2" ~ 4" ( 3" x 2" ~6" x 4" )





**Fig No: MD-65-1500**

**MATERIALS LIST**

NO.	DESCRIPTION	MATERIAL
1	BODY	A105,A350-LF2,A182-F304,F316,F304L,F316L,F321,F51,F53
2	DRAIN VALVE AND PLUG	1025,SS304,SS316,SS304L,SS316L,SS321,F51,F53
4	BALL	A105+ENP,A350-LF2+ENP,A182-F8,F304,F316,F304L,F316L,F321,F51,F53
5	STEM	1045+ENP,A182-F6,F304,F316,F304L,F316L,F321,F51,F53,4140+ENP,17-4PH
5-1	SPRING	SS304,INCONE,1566+ENP
5-2	TRUNNION	1045+ENP,A182-F6,F304,F316,F304L,F316L,F321,F51,F53,4140+ENP,17-4PH
9	ADAPTER	A105,A350-LF2,A182-F304,F316,F304L,F316L,F321,F51,F53,A537
12	SEAT	PTFE,RTFE,PEEK,PPL,POM,KARBATE,NYLON,MOLON,DEVLON
12-1	SEAT RING	A105+ENP,A182-F8,F304,F316,F304L,F316L,F321,F51,F53
13	THRUST WASHER	PTFE,RTFE,STAINLESS STEEL+N
14	PACKING	FLEXIBLE GRAPHITE
28	CONNECTION PLATE	1025,A216 WCB,A351 CF8
15	STUFFING BOX	A105+ENP,A182-F8,F304,F316,F304L,F316L,F321,F51,F53
15-1	SEALING RING	SS304,SS316+FLEXIBLE GRAPHITE SPIRAL WOUND
31	O-RING	VITON
31-1	O-RING	NBR,VITON
31-2	O-RING	VITON
35	SCREW	1035,STAINLESS STEEL
38	SEALING RING	FLEXIBLE GRAPHITE
42	SCREW	1035,STAINLESS STEEL
53	OIL CUP	1025,SS304
56	BEARING	1045+RPTFE.,SS304+RPTFFE.,SS316+RPTFE.
69	ADJUSTING RING	PTFE,1045+RPTFE,STAINLESS STEEL+RPTFE

**DIMENSIONS(CLASS 1500Lb)**

unit:mm

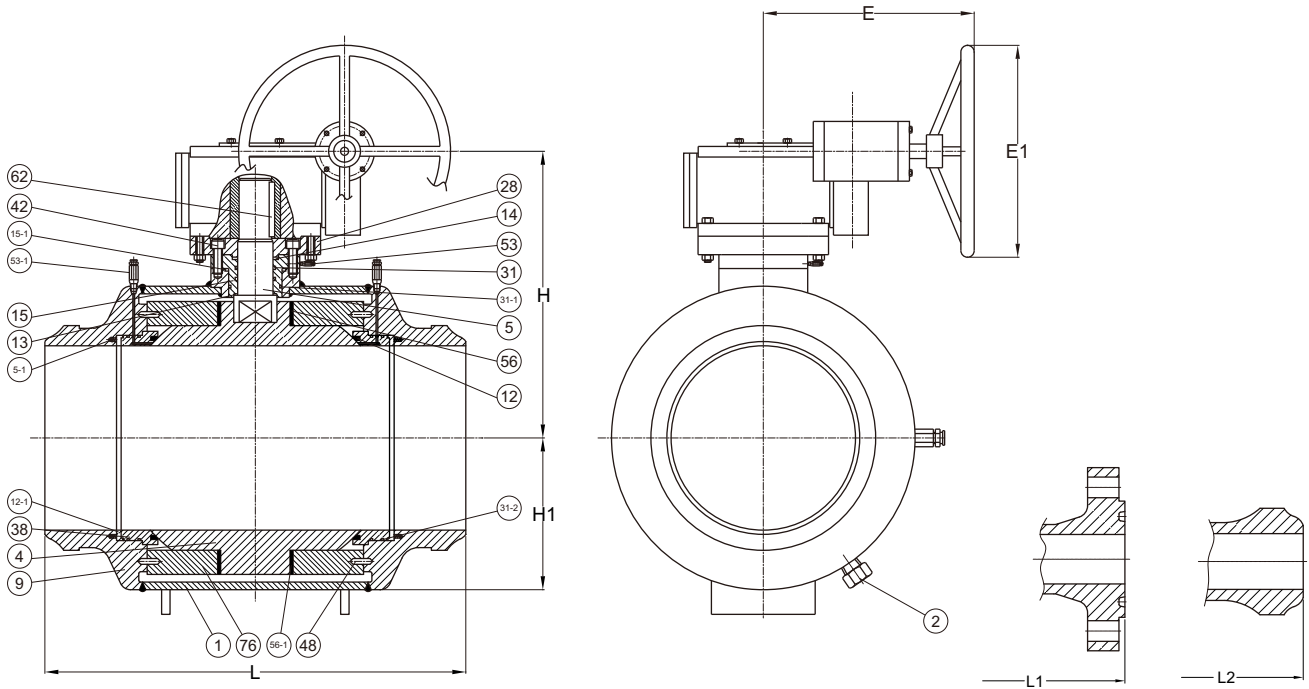
SIZE		L	L1	L2	E	H	H1	Wt (kg)
DN50	2"	368.0	371.0	368.0	800.0	237.0	109.0	48.0
DN65	2-1/2"	419.0	422.0	419.0	900.0	261.0	130.0	58.0
DN80XDN50	3"X2" ®	470.0	473.0	470.0	800.0	237.0	109.0	62.0
DN80	3"	470.0	473.0	470.0	1000.0	269.0	154.0	90.0
DN100XDN80	4"X3" ©	546.0	549.0	546.0	1000.0	269.0	154.0	102.0
DN100	4"	546.0	549.0	546.0	1000.0	297.0	190.0	155.0
DN150XDN100	6"X4" ©	705.0	711.0	705.0	1000.0	297.0	190.0	232.0

\* ® Reduce Bore © Regular Bore



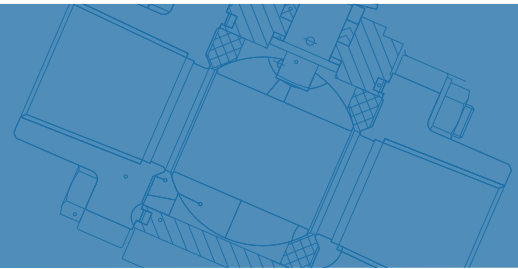
**Fig No: MD-65-1500**

Size: 6" ~ 24" ( 8" x 6" ~ 24" x 20" )



### MATERIALS LIST

NO.	DESCRIPTION	MATERIAL
1	BODY	A105,A350-LF2,A182-F304,F316,F304L,F316L,F321,F51,F53
2	DRAIN VALVE AND PLUG	1025,SS304,SS316,SS304L,SS316L,SS321,F51,F53
4	BALL	A105+ENP,A350-LF2+ENP,A182-F8,F304,F316,F304L,F316L,F321,F51,F53
5	STEM	1045+ENP,A182-F6,F304,F316,F304L,F316L,F321,F51,F53,A140+ENP,17-4PH
5-1	SPRING	SS304,INCONE,1566+ENP
9	ADAPTER	A105,A350-LF2,A182-F304,F316,F304L,F316L,F321,F51,F53,A537
12	SEAT	PTFE,RTFE,PEEK,PPL,POM,KARBATE,NYLON,MOLON,DEVLON
12-1	SEAT RING	A105+ENP,A182-F8,F304,F316,F304L,F316L,F321,F51,F53
13	THRUST WASHER	PTFE,RTFE,STAINLESS STEEL+N
14	PACKING	FLEXIBLE GRAPHITE
15	STUFFING BOX	A105+ENP,A182-F8,F304,F316,F304L,F316L,F321,F51,F53
15-1	SEALING RING	SS304,SS316+FLEXIBLE GRAPHITE SPIRAL WOUND
28	CONNECTION PLATE	1025,A216 WCB,A351 CF8
31	O-RING	VITON
31-1	O-RING	NBR,VITON
31-2	O-RING	VITON
38	SEALING RING	FLEXIBLE GRAPHITE
42	SCREW	1035,STAINLESS STEEL
48	PIN	1045,STAINLESS STEEL
53	OIL CUP	1025,SS304
53-1	GREASE FITTING	1025,SS304,SS316,SS304L,SS316L,SS321,F51,F53
56	BEARING	1045+RPTFE.,SS304+RPTFE.,SS316+RPTFE.
56-1	BEARING	1045+RPTFE.,SS304+RPTFE.,SS316+RPTFE.
62	KEY	1045
76	BEARING RETAINER	A105,A216 WCB,STAINLESS STEEL



**Fig No: MD-65-1500**

**DIMENSIONS(CLASS 1500Lb)**

unit:mm

SIZE		L	L1	L2	E	E1	H	H1	Wt(kg)
DN150	6" <span style="float:right">Ⓢ</span>	705.0	711.0	705.0	380.0	400.0	305.0	281.0	340.0
DN200XDN150	8"X6" <span style="float:right">Ⓢ</span>	832.0	841.0	832.0	380.0	400.0	305.0	281.0	350.0
DN200	8" <span style="float:right">Ⓢ</span>	832.0	841.0	832.0	430.0	450.0	365.0	327.0	378.0
DN250XDN200	10"X8" <span style="float:right">Ⓢ</span>	991.0	1000.0	991.0	430.0	450.0	365.0	327.0	405.0
DN250	10" <span style="float:right">Ⓢ</span>	991.0	1000.0	991.0	510.0	500.0	440.0	392.0	450.0
DN300XDN250	12"X10" <span style="float:right">Ⓢ</span>	1130.0	1146.0	1130.0	510.0	500.0	440.0	392.0	650.0
DN300	12" <span style="float:right">Ⓢ</span>	1130.0	1146.0	1130.0	510.0	500.0	596.0	425.0	766.0
DN350XDN300	14"X12" <span style="float:right">Ⓢ</span>	1257.0	1276.0	1257.0	510.0	500.0	596.0	425.0	1068.0
DN350	14" <span style="float:right">Ⓢ</span>	1257.0	1276.0	1257.0	530.0	550.0	661.0	500.0	1112.0
DN400XDN350	16"X14" <span style="float:right">Ⓢ</span>	1384.0	1406.0	1384.0	530.0	550.0	661.0	500.0	1570.0
DN400	16" <span style="float:right">Ⓢ</span>	1384.0	1406.0	1384.0	530.0	550.0	725.0	560.0	1695.0
DN450XDN400	18"X16" <span style="float:right">Ⓢ</span>	1537.0	1559.0	1537.0	530.0	550.0	725.0	560.0	2138.0
DN450	18" <span style="float:right">Ⓢ</span>	1537.0	1559.0	1537.0	--	812.0	789.0	590.0	2320.0
DN500XDN450	20"X18" <span style="float:right">Ⓢ</span>	1664.0	1686.0	1664.0	--	812.0	789.0	590.0	1980.0
DN500	20" <span style="float:right">Ⓢ</span>	1664.0	1686.0	1664.0	--	914.0	843.0	725.0	2940.0
DN600XDN500	24"X20" <span style="float:right">Ⓢ</span>	2043.0	2071.0	2043.0	--	914.0	843.0	725.0	3310.0
DN600	24" <span style="float:right">Ⓢ</span>	2043.0	2071.0	2043.0	--	914.0	978.0	813.0	4908.0

\* R Reduce Bore S Regular Bore

\* Modentic Reserves The Rights To Change Any Details Without Prior Notice.