



Fig No: MD-65-150

2" ~ 40" (3" x 2" ~ 36"x30")



Feature:

Design: API6D, ASME B16.34, API607/ API6FA fire safe design
 Side entry ball
 Anti-static design, Anti blow-out-stem
 Carbon steel or special alloy upon request
 Cast steel are also supplied in full compliance with NACE MR0175

Service:

General, Low Temperature, Cryogenic, Sub sea, Oil & Gas application, High temperature, Underground

Design:

3-pc Design, by forged
 Full Bore or Reduce Bore
 Face to face: ASME B16.10
 Butt Weld connection: ASME B16.25
 Pressure-Temperature Rating: ASME/ANSI B16.34
 Testing and inspection: API6D, API598

- Automatically Drain Plug (NPT) on Body(2"~4" - option, Upward 6" - Basic function)
- Double bleed and Block(2"~4" - option, Upward 6" - Basic function)
- Sealant Emergently Injection Fittings(2"~4" - option, Upward 6" - Basic function)

Options:

- With Locking Device
- Extended Stem (Cryogenic application)
- Actuator installation
- Gear Box

Size:2" ~ 4" (3" x 2" ~6" x 4")

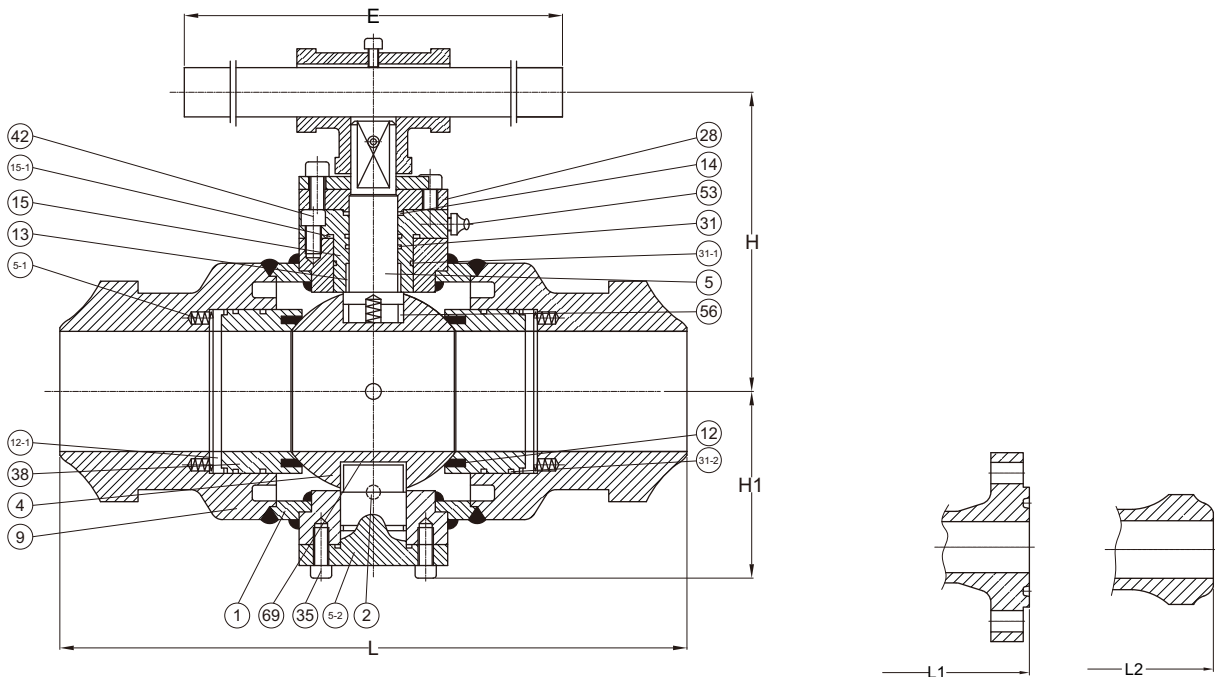




Fig No: MD-65-150

MATERIALS LIST

NO.	DESCRIPTION	MATERIAL
1	BODY	A105,A350-LF2,A182-F304,F316,F304L,F316L,F321,F51,F53
2	DRAIN VALVE AND PLUG	1025,SS304,SS316,SS304L,SS316L,SS321,F51,F53
4	BALL	A105+ENP,A350-LF2+ENP,A182-F8,F304,F316,F304L,F316L,F321,F51,F53
5	STEM	1045+ENP,A182-F6,F304,F316,F304L,F316L,F321,F51,F53,4140+ENP,17-4PH
5-1	SPRING	SS304,INCONE,1566+ENP
5-2	TRUNNION	1045+ENP,A182-F6,F304,F316,F304L,F316L,F321,F51,F53,4140+ENP,17-4PH
9	ADAPTER	A105,A350-LF2,A182-F304,F316,F304L,F316L,F321,F51,F53,A537
12	SEAT	PTFE,RTFE,PEEK,PPL,POM,KARBATE,NYLON,MOLON,DEVLON
12-1	SEAT RING	A105+ENP,A182-F8,F304,F316,F304L,F316L,F321,F51,F53
13	THRUST WASHER	PTFE,RTFE,STAINLESS STEEL+N
14	PACKING	FLEXIBLE GRAPHITE
28	CONNECTION PLATE	1025,A216 WCB,A351 CF8
15	STUFFING BOX	A105+ENP,A182-F8,F304,F316,F304L,F316L,F321,F51,F53
15-1	SEALING RING	SS304,SS316+FLEXIBLE GRAPHITE SPIRAL WOUND
31	O-RING	VITON
31-1	O-RING	NBR,VITON
31-2	O-RING	VITON
35	SCREW	1035,STAINLESS STEEL
38	SEALING RING	FLEXIBLE GRAPHITE
42	SCREW	1035,STAINLESS STEEL
53	OIL CUP	1025,SS304
56	BEARING	1045+RPTFE.,SS304+RPTFFE.,SS316+RPTFE.
69	ADJUSTING RING	PTFE,1045+RPTFE,STAINLESS STEEL+RPTFE

DIMENSIONS(CLASS 150Lb)

unit:mm

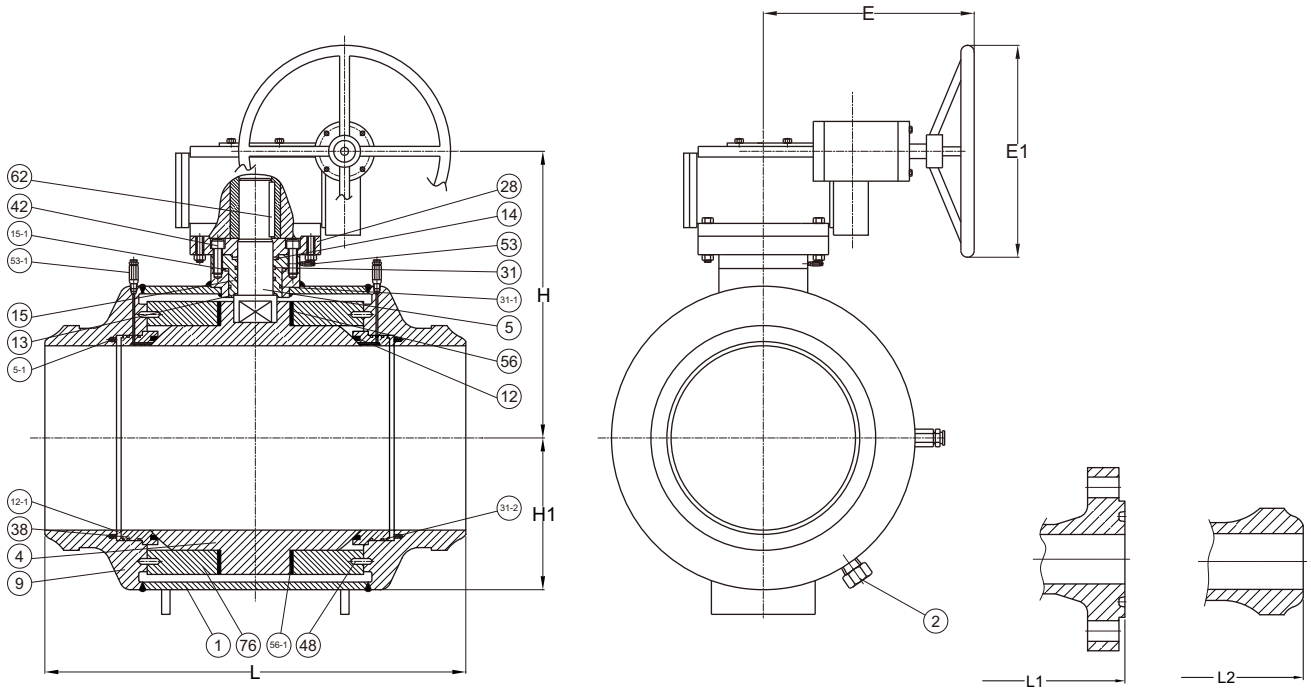
SIZE		L	L1	L2	E	H	H1	Wt (kg)
DN50	2"	178.0	191.0	216.0	250.0	143.0	83.0	20.0
DN65	2-1/2"	191.0	203.0	241.0	300.0	180.0	102.0	22.0
DN80XDN50	3"X2" ®	203.0	216.0	283.0	250.0	143.0	83.0	22.0
DN80	3"	203.0	216.0	283.0	350.0	232.0	117.0	35.0
DN100XDN80	4"X3" ©	229.0	241.0	305.0	350.0	232.0	117.0	35.0
DN100	4"	229.0	241.0	305.0	450.0	243.0	125.0	55.0
DN150XDN100	6"X4" ©	394.0	406.0	457.0	450.0	243.0	125.0	68.0

* ® Reduce Bore © Regular Bore



Fig No: MD-65-150

Size: 6" ~ 40" (8" x 6" ~ 36" x 30")



MATERIALS LIST

NO.	DESCRIPTION	MATERIAL
1	BODY	A105,A350-LF2,A182-F304,F316,F304L,F316L,F321,F51,F53
2	DRAIN VALVE AND PLUG	1025,SS304,SS316,SS304L,SS316L,SS321,F51,F53
4	BALL	A105+ENP,A350-LF2+ENP,A182-F8,F304,F316,F304L,F316L,F321,F51,F53
5	STEM	1045+ENP,A182-F6,F304,F316,F304L,F316L,F321,F51,F53,A140+ENP,17-4PH
5-1	SPRING	SS304,INCONE,1566+ENP
9	ADAPTER	A105,A350-LF2,A182-F304,F316,F304L,F316L,F321,F51,F53,A537
12	SEAT	PTFE,RTFE,PEEK,PPL,POM,KARBATE,NYLON,MOLON,DEVLON
12-1	SEAT RING	A105+ENP,A182-F8,F304,F316,F304L,F316L,F321,F51,F53
13	THRUST WASHER	PTFE,RTFE,STAINLESS STEEL+N
14	PACKING	FLEXIBLE GRAPHITE
15	STUFFING BOX	A105+ENP,A182-F8,F304,F316,F304L,F316L,F321,F51,F53
15-1	SEALING RING	SS304,SS316+FLEXIBLE GRAPHITE SPIRAL WOUND
28	CONNECTION PLATE	1025,A216 WCB,A351 CF8
31	O-RING	VITON
31-1	O-RING	NBR,VITON
31-2	O-RING	VITON
38	SEALING RING	FLEXIBLE GRAPHITE
42	SCREW	1035,STAINLESS STEEL
48	PIN	1045,STAINLESS STEEL
53	OIL CUP	1025,SS304
53-1	GREASE FITTING	1025,SS304,SS316,SS304L,SS316L,SS321,F51,F53
56	BEARING	1045+RPTFE.,SS304+RPTFE.,SS316+RPTFE.
56-1	BEARING	1045+RPTFE.,SS304+RPTFE.,SS316+RPTFE.
62	KEY	1045
76	BEARING RETAINER	A105,A216 WCB,STAINLESS STEEL

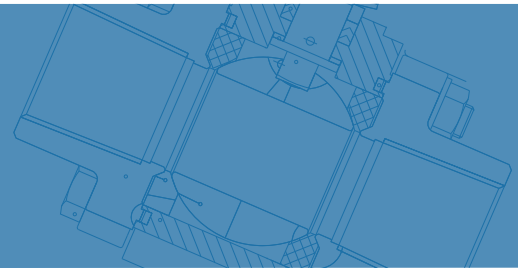


Fig No: MD-65-150

DIMENSIONS(CLASS 150Lb)

unit:mm

SIZE		L	L1	L2	E	E1	H	H1	Wt(kg)
DN150	6" [Ⓒ]	394.0	406.0	457.0	254.0	300.0	280.0	178.0	173.0
DN200XDN150	8"X6" [Ⓒ]	457.0	470.0	521.0	254.0	300.0	280.0	178.0	195.0
DN200	8" [Ⓒ]	457.0	470.0	521.0	254.0	300.0	305.0	225.0	200.0
DN250XDN200	10"X8" [Ⓒ]	533.0	546.0	559.0	254.0	300.0	305.0	225.0	238.0
DN250	10" [Ⓒ]	533.0	546.0	559.0	270.0	300.0	395.0	257.0	262.0
DN300XDN250	12"X10" [Ⓒ]	610.0	622.0	635.0	270.0	300.0	395.0	257.0	380.0
DN300	12" [Ⓒ]	610.0	622.0	635.0	370.0	300.0	428.0	323.0	414.0
DN350XDN300	14"X12" [Ⓒ]	686.0	699.0	762.0	370.0	300.0	428.0	323.0	551.0
DN350	14" [Ⓒ]	686.0	699.0	762.0	380.0	400.0	465.0	355.0	590.0
DN400XDN350	16"X14" [Ⓒ]	762.0	775.0	838.0	380.0	400.0	465.0	355.0	731.0
DN400	16" [Ⓒ]	762.0	775.0	838.0	430.0	450.0	528.0	398.0	896.0
DN450XDN400	18"X16" [Ⓒ]	864.0	876.0	914.0	430.0	450.0	528.0	398.0	945.0
DN450	18" [Ⓒ]	864.0	876.0	914.0	510.0	500.0	564.0	437.0	1200.0
DN500XDN450	20"X18" [Ⓒ]	914.0	927.0	991.0	510.0	500.0	564.0	437.0	1443.0
DN500	20" [Ⓒ]	914.0	927.0	991.0	510.0	500.0	577.0	453.0	1550.0
DN600XDN500	24"X20" [Ⓒ]	1067.0	1080.0	1143.0	510.0	500.0	577.0	453.0	2030.0
DN550	22" [Ⓒ]	991.0	--	1092.0	510.0	500.0	365.0	499.0	2052.0
DN600	24" [Ⓒ]	1067.0	1080.0	1143.0	510.0	500.0	667.0	536.0	2592.0
DN750XDN600	30"X24" [Ⓒ]	1295.0	--	1397.0	510.0	500.0	667.0	536.0	--
DN650	26" [Ⓒ]	1143.0	--	1245.0	530.0	550.0	705.0	564.0	3193.0
DN700	28" [Ⓒ]	1245.0	--	1346.0	530.0	550.0	754.0	600.0	3860.0
DN750	30" [Ⓒ]	1295.0	--	1397.0	--	762.0	806.0	640.0	4398.0
DN900XDN750	36"X30" [Ⓒ]	1524.0	--	1727.0	--	762.0	806.0	640.0	5055.0
DN800	32" [Ⓒ]	1372.0	--	1524.0	--	812.0	848.0	698.0	5218.0
DN850	34" [Ⓒ]	1473.0	--	1626.0	--	914.0	883.0	750.0	6210.0
DN900	36" [Ⓒ]	1524.0	--	1727.0	--	914.0	1001.0	818.0	7490.0
DN1000	40" [Ⓒ]	1753.0	--	1753.0	--	914.0	1245.0	880.0	10089.0

* [Ⓐ] Reduce Bore [Ⓒ] Regular Bore

* Modentic Reserves The Rights To Change Any Details Without Prior Notice.