

**Fig No: KF-314 L/T Full Bore**  
1/2" ~ 4" DN15 ~ DN100



**Features :**

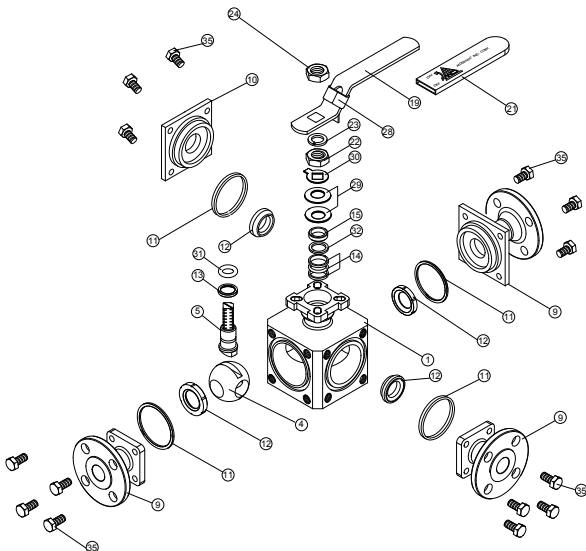
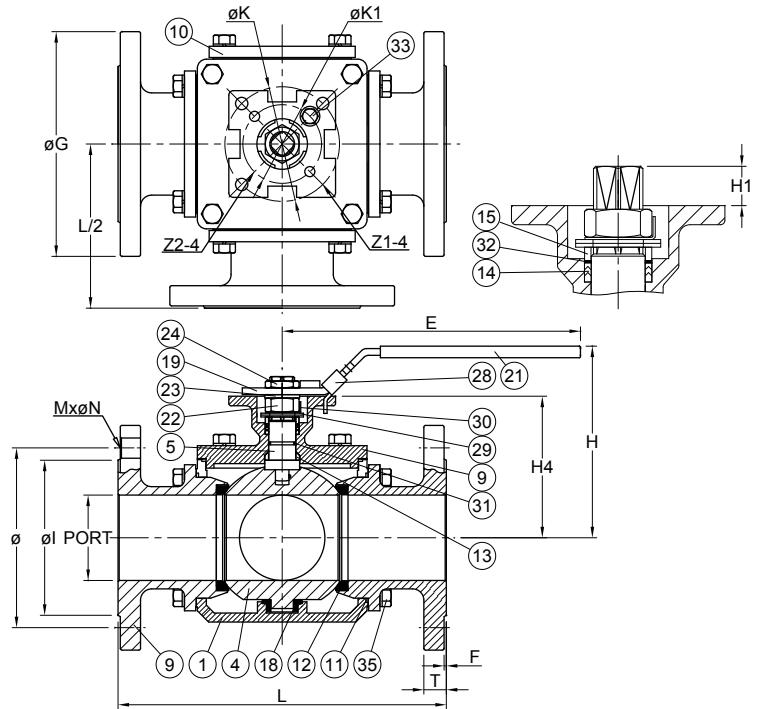
- Investment Cast Components
- Blow-out-proof stem design , Bottom entry stem
- Valve design allows 360 degree rotation, positive location is available at 90 degree increments
- ISO 5211 Mounting pad by the valve locking device
- For Food , General Chemical and Industrial application

**Standard Compliance :**

- ASME/ANSI B16.34
- Face to Face: Mfg. Std.
- Flange Dimensions: EN1092-1
- Pressure Test According To EN12266-1

**MATERIAL LIST**

NO.	PART NAME	MATERIAL
1	BODY	1.4408 / EN1503-1
4	BALL	1.4408 / EN1503-1
5	STEM	SS316
9	END CAP	1.4408 / EN1503-1
10	BLIND CAP	1.4408 / EN1503-1
11	BODY SEAL	PTFE.
12	SEAT	PTFE.
13	THRUST WASHER	PTFE.
14	STEM PACKING	PTFE.
15	GLAND BUSH	SS304
19	HANDLE	SS304
21	HANDLE COVER	VINYL GRIP
22	STEM NUT	SS304
23	HANDLE WASHER	SS304
24	HANDLE NUT	SS304
28	LOCKING PAD	SS304(OPTION)
29	BELLEVILLE WASHER	SUS304-CSP
30	TAB WASHER	SS304
31	STEM O-RING	VITON
32	PACKING FOLLOWER	PTFE.+25%GF
35	BODY BOLT	SS304



TURN	0°	90°	180°	270°
PORT				
L				
T				

**DIMENSION**

SIZE	PORT	L	E	H	H1	H4	C	øG	øJ	øI	T	F	MxøN	øK	unit:mm			
															øK1	Z1	Z2	
DN15	1/2"	16	158	133	89	9.0	50.0	9	95	65	45	16	2	4xø14	42		6	
DN20	3/4"	20	169	178.5	98	9.5	59.5	11	105	75	58	18	2	4xø14	50		7	
DN25	1"	25	185	178.5	102	11.0	63.5	11	115	85	68	18	2	4xø14	50		7	
DN32	1-1/4"	32	195	230	118.5	15.2	79.5	14	140	100	78	18	2	4xø18	70	50	9	7
DN40	1-1/2"	38	232	230	127	14.3	88.0	14	150	110	88	18	2	4xø18	70	50	9	7
DN50	2"	50	250	250	139	17.8	105.0	17	165	125	102	20	2	4xø18	102	70	11	9
DN65	2-1/2"	65	270	250	117.3	17.5	165.7	17	185	145	122	18	2	4xø18	102	70	11	9
DN80	3"	76	292.2	250	170	17.5	128.0	17	200	160	138	20	2	8xø18	102	70	11	9
DN100	4"	100	360	300	230	23.0	165.0	22	220	180	158	20	2	8xø18	125	102	13	11