

**Fig No. MD-22J- PN16**

1-1/2" - 8" (DN40- DN200)



**Feature :**

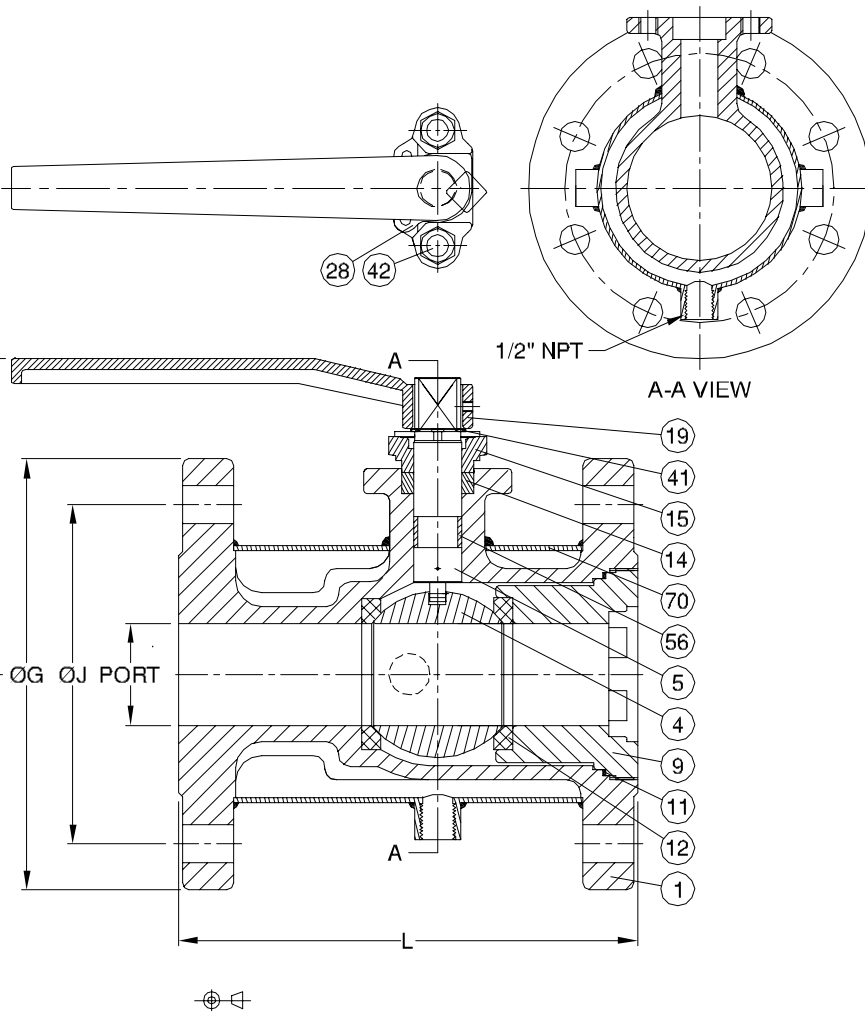
- Investment Casting Component
- ISO 5211 mounting flange
- Blow-out-proof stem, Anti-Static Design
- For General Chemical and Industrial application
- Cast Bosses For Bleed / Drain Port.

**Standard Compliance:**

- Design : B16.34
- Face to face : MFG Standard
- Flange dimension : DIN 1092-1 PN 16 RF
- Body Material : 1.4408
- Pressure testing : EN 12266-1/ API 598

**Specifications :**

- End connection : Flange RF
- Working pressure : 14.6 bar ( CWP )
- Temperature : -20 ~220°C



**MATERIALS LIST**

NO.	PART NAME	MATERIAL
1	BODY	1.0619 / EN1503-1
4	BALL	CF8M / EN1503-2
5	STEM	SS316
9	INSERT CAP	1.0619 / EN1503-1
11	BODY SEAL	50%PTFE, +50%S.S.
12	SEAT	50%PTFE, +50%S.S.
14	STEM PACKING	50%PTFE, +50%S.S.
15	GLAND	ASTM A351 Gr.Cf8M
19	HANDLE	FCD45
28	STOP PLATE	SS304
41	SNAP RING	SS304
42	GLAND BOLT	SS304
56	BEARING	50%PTFE, +50%S.S.
70	JACKET	SS304

**DIMENSIONS**

SIZE ( FLANGE x PORT )		PORT	L	H	ØG	ØJ
DN40xDN15	1-1/2" x 1/2"	15	120	130	150	110
DN40xDN20	1-1/2" x 3/4"	20	120	135	150	110
DN50xDN25	2" x 1"	25	130	140	165	125
DN65xDN40	2-1/2" x 1-1/2"	40	165	155	185	145
DN80xDN50	3" x 2"	50	180	180	200	160
DN100xDN65	4" x 2-1/2"	65	190	185	220	180
DN100xDN80	4" x 3"	80	203	185	220	180
DN125xDN80	5" x 3"	80	203	185	250	210
DN150xDN100	6" x 4"	100	230	235	285	240
DN200xDN150	8" x 6"	150	340	290	340	295