

**Fig No. MD-52 Full Bore**  
**1/2" - 10" DN 15 ~ DN 150**



### Features :

Investment casting component  
Blow out proof design,  
ISO 5211 Mounting flange  
For General chemical and industrial application

### Standard Compliance :

Body wall thickness : B16.34  
Face to face length : ANSI B16.10 Class 150  
Flange dimension : ANSI B 16.5 Class 150

Finish : 125-250 AARH

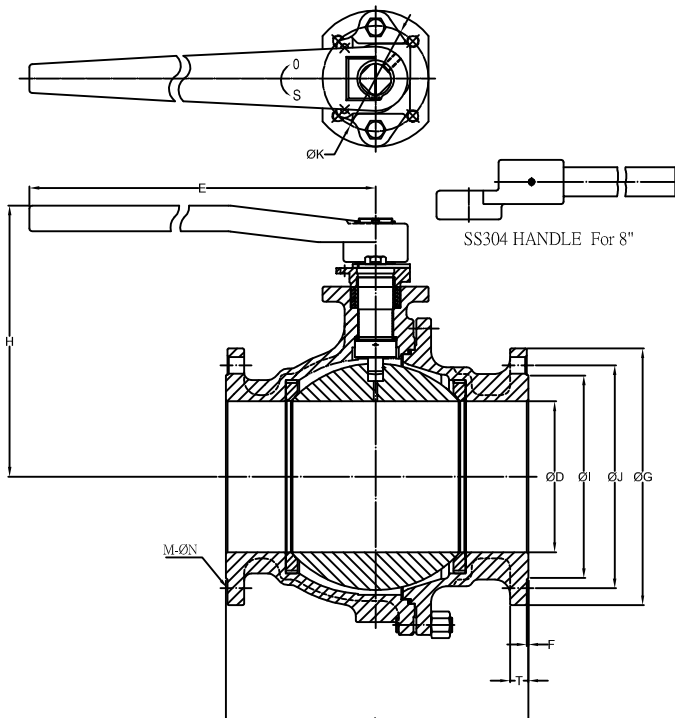
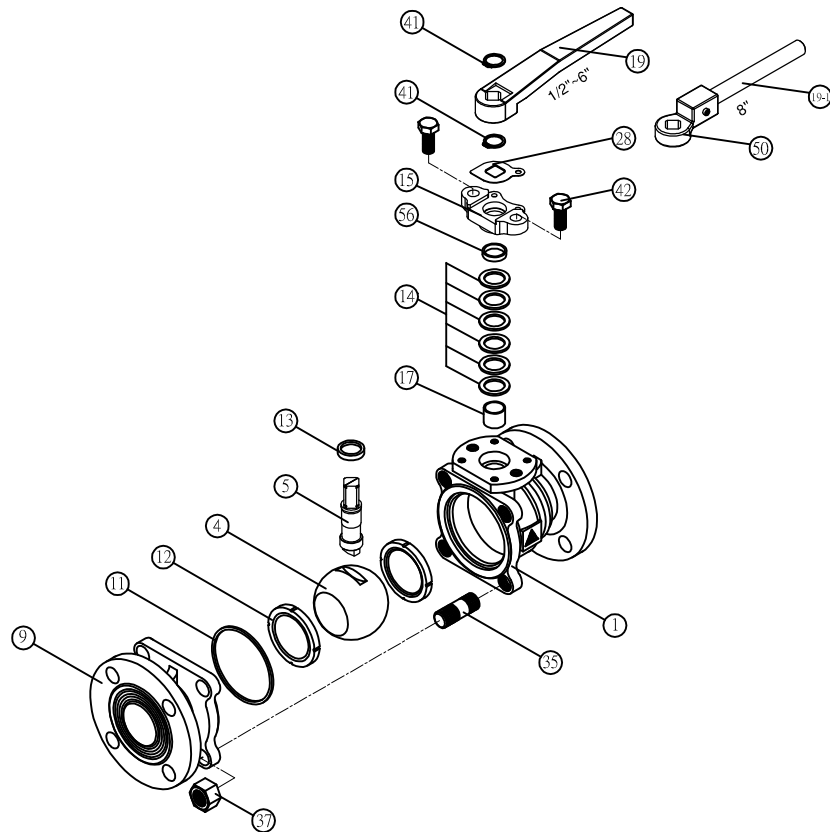
Body Material : ASTM A494  
Pressure testing : EN 12266

### Specification :

End connection : Flanged RF end  
Working pressure : 230 psi ( CWP )  
Temperature : -20 ~ 180 C

### MATERIALS LIST

NO.	PART NAME	MATERIAL
1	BODY	ASTM A494 Gr. CW12MW
4	BALL	ASTM A494 Gr. CW12MW
5	STEM	ASTM A494 Gr. CW12MW
9	END CAP	ASTM A494 Gr. CW12MW
11	BODY SEAL	PTFE.
12	SEAT	RPTFE.
13	THRUST WASHER	PTFE.
14	STEM PACKING	PTFE.
15	GLAND	SS304
17	GLAND PACKING	SS304
19	HANDLE	FCD45
19-1	HANDLE PIPE	FCD45
28	STOP PLATE	SS304
35	STUD	SS304
37	BOLT NUT	SS304
41	SNAP RING	SS304
42	GLAND BOLT	SS304
50	HANDLE ADAPTER	ASTM A351 Gr.CF8
56	BEARING	PTFE.



### DIMENSIONS

SIZE	PORT	L	E	H	ØG	ØJ	ØI	T	F	M	ØN	ØK	
DN15	1/2"	15.0	108.0	130.8	77.7	89.0	60.5	35.0	11.6	2.0	4	16.0	42.0
DN20	3/4"	20.0	117.0	130.8	80.2	98.0	70.0	43.0	11.6	2.0	4	16.0	42.0
DN25	1"	25.4	127.0	163.0	92.1	108.0	79.5	51.0	12.0	2.0	4	16.0	50.0
DN32	1-1/4"	32.0	140.0	163.0	96.8	117.5	88.5	63.5	13.3	2.0	4	16.0	50.0
DN40	1-1/2"	38.0	165.0	202.0	130.4	127.0	98.5	73.0	15.2	2.0	4	16.0	70.0
DN50	2"	50.0	178.0	202.0	137.9	152.0	120.5	92.0	16.3	2.0	4	19.0	70.0
DN65	2-1/2"	63.0	190.0	202.0	160.5	178.0	139.5	105.0	18.0	2.0	4	19.0	70.0
DN80	3"	80.0	203.0	323.5	174.7	190.5	152.5	127.0	19.5	2.0	4	19.0	102.0
DN100	4"	98.0	229.0	323.5	197.0	229.0	190.5	157.0	24.3	2.0	8	19.0	102.0
DN125	5"	125.0	356.0	752.5	159.3	254.0	216.0	186.0	24.5	2.0	8	22.0	125.0
DN150	6"	152.0	394.0	752.5	182.3	279.0	241.5	216.0	25.8	2.0	8	22.0	125.0
DN200	8"	200.0	457.0	839.3	241.6	343.0	298.5	270.0	29.1	2.0	8	22.0	140.0