

Fig no. NV-0063

1/4" ~ 1" DN8 ~ 25



Features :

- Investment Cast Components
- Provide Bubble-tight shut off for liquid and gas
- Metal to metal design
- Teflon back up stem seal

Standard Compliance :

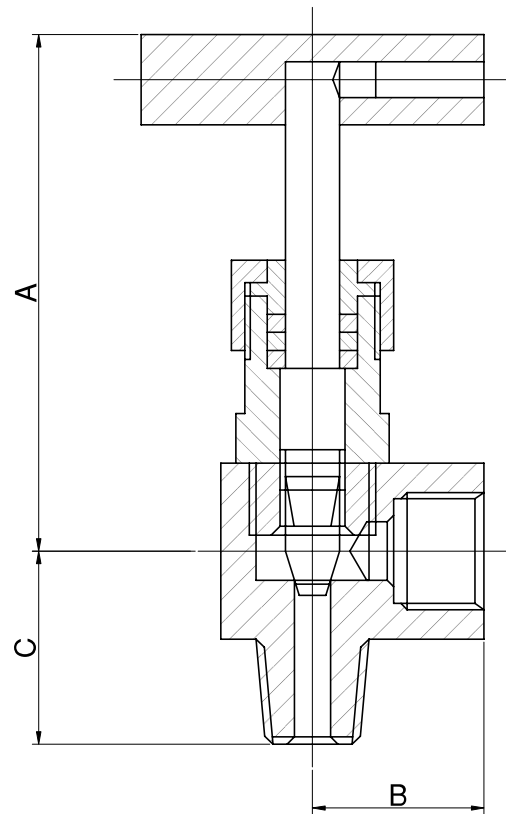
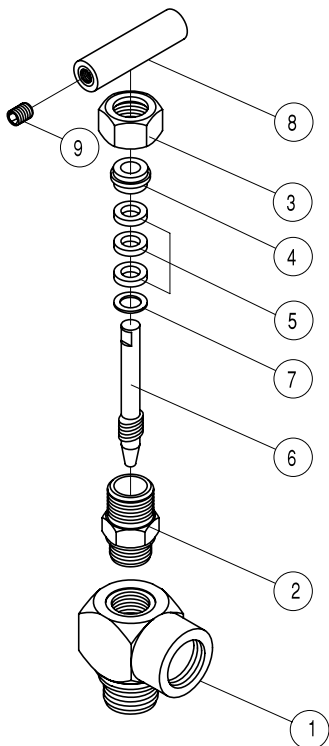
- Body wall thickness : EN 12516-1/3
- Threaded end : BS 21 (BSP)
- BSPT
- ISO 228-1
- DIN 2999
- ISO 7-1
- Face to Face : MFG's standard
- Body material : EN 1503-1

Specification :

- End connection : Threaded end (Male X Female)
- Working pressure : PN420 bar (CWP)
- Temperature : -20 ~ 180°C

MATERIAL LIST

NO	PARTS NAME	MATERIAL
1	BODY	CF8M/ Pr EN1503-1
2	BONNET	CF8M/ Pr EN1503-1
3	GLAND NUT	SS 304
4	GLAND	SS 304
5	PACKING	PTFE
6	STEM	SS316
7	WASHER	SS316
8	HANDLE	SS 410
9	SET SCREW	SS 304



DIMENSIONS

UNIT : mm

SIZE	A	B	C
DN8	1/4"	75.0	29.0
DN10	3/8"	75.0	29.0
DN15	1/2"	87.0	34.0
DN20	3/4"	90.0	38.0
DN25	1"	103.0	45.0