

Fig No: NV-0061 1/4" ~ 1"
DN8 ~ DN25



Features :

- Provide Bubble – Tight Shut Off of Liquids or Gases
- Primarily to Closely Regulates Fine Flow
- Metal to Metal Design for a Bubble Tight Seal
- Teflon Back – Up Ring Stem Seals

Standard Compliance :

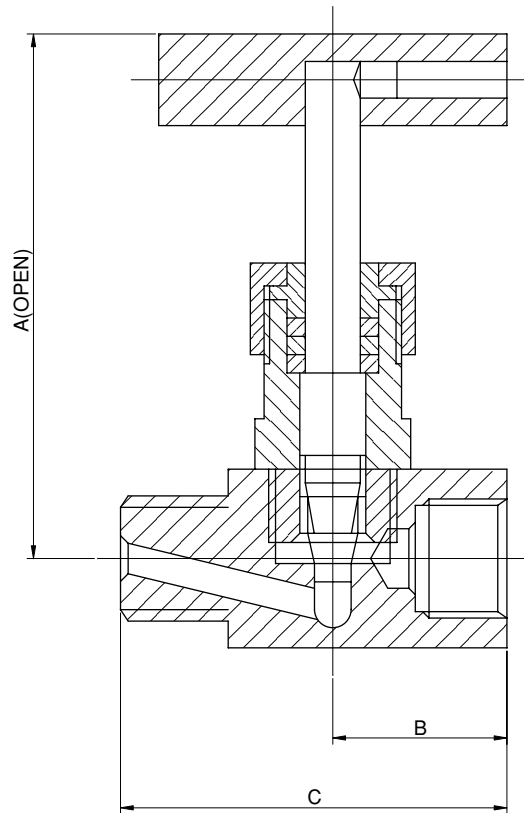
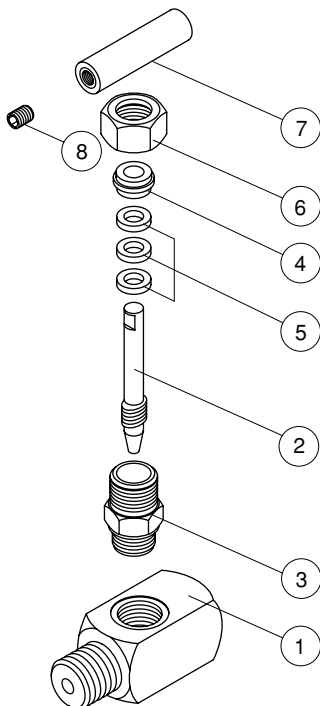
- ASTM ASME B16.34 API 598
- BS 21(BSPT) ISO 7-1 ISO 228-1 BS 21(BSPP) DIN 2999
- ANSI B1.20.1(NPT)

Specifications:

- Design According to ANSI B16.34
- End Connection : Male x Female
- Working Pressure : 6000 Psi (CWP)
- Temperature Range : - 4 to 356°F / - 20 to 180°C
- Pressure Test According to API 598 or EN 12266

MATERIAL LIST

NO	PARTS NAME	MATERIAL
1	BODY	A351 Gr. CF8M
2	NEEDLE	SS316
3	BONNET	A351 Gr. CF8M
4	GLAND BUSH	SS304
5	STEM PACKING	PTFE
6	GLAND NUT	SS304
7	T BAR	SS 410
8	SET SCREW	SS304



DIMENSIONS

unit: mm

SIZE	A	B	C	
DN8	1/4"	75.0	29.0	60.0
DN10	3/8"	75.0	29.0	60.0
DN15	1/2"	87.0	32.5	70.0
DN20	3/4"	90.0	35.0	75.0
DN25	1"	103.0	40.0	85.0