

Fig No. YS- 800 Full Bore
1/4" ~ 3" DN8 ~ DN80



Features :

Investment casting component
 Screwed bonnet
 For general chemical and industrial application

Standard Compliance :

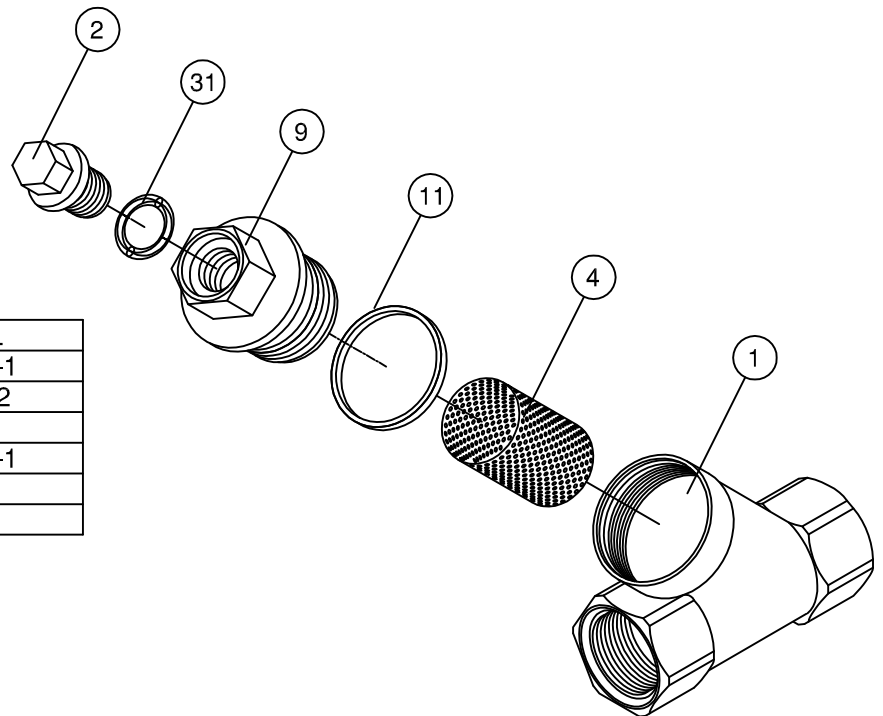
Body wall thickness : EN 12516-1/3
 Threaded end : BS 21 (BSP)
 BSPT
 ISO 228-1
 DIN 2999
 ISO 7-1Rp
 Pressure testing : EN12266
 Body material : EN 1503-1

Specification :

End connection : Threaded end
 Working pressure : 40 bar (CWP)
 Temperature : -20 ~ 180°C

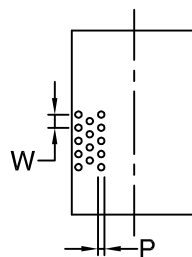
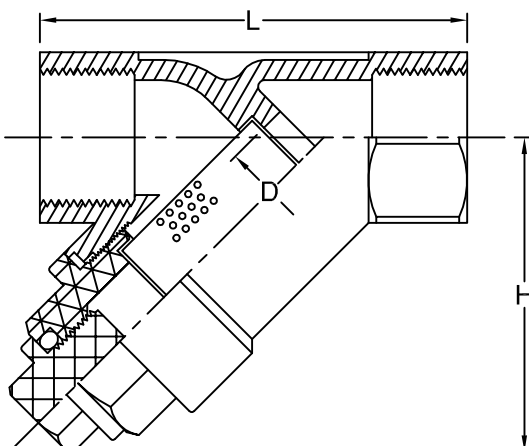
Options :

Double screen (40 ~200 mesh)



MATERIALS LIST

NO.	PART NAME	MATERIAL
1	BODY	1.4408/EN1503-1
2	PLUG	CF8M/EN1503-2
4	SCREEN	SS316
9	BONNET	1.4408/EN1503-1
11	BODY SEAL	PTFE.
31	O-RING	VITON



DIMENSIONS

SIZE	L	H	D	W	P	unit:mm
DN8 1/4"	65.0	51.0	10.0	2.0	1.0	
DN10 3/8"	65.0	51.0	12.0	2.0	1.0	
DN15 1/2"	65.0	51.0	15.0	2.0	1.0	
DN20 3/4"	80.0	60.0	20.0	2.0	1.0	
DN25 1"	90.0	72.0	25.0	2.0	1.0	
DN32 1-1/4"	105.0	77.0	32.0	2.0	1.0	
DN40 1-1/2"	120.0	87.0	40.0	2.0	1.0	
DN50 2"	140.0	103.0	50.0	2.0	1.0	
DN65 2-1/2"	180.0	124.0	65.0	2.0	1.0	
DN80 3"	200.0	143.0	80.0	2.0	1.0	