

**Fig No: GT-200**

1/2" ~ 2" DN15 ~ DN50



**Features :**

Investment cast component  
 Inside Screwed Non-Rising stem  
 Screwed Bonnet, Solid Wedge Disc,  
 For General Chemical and Industrial application

**Standard Compliance :**

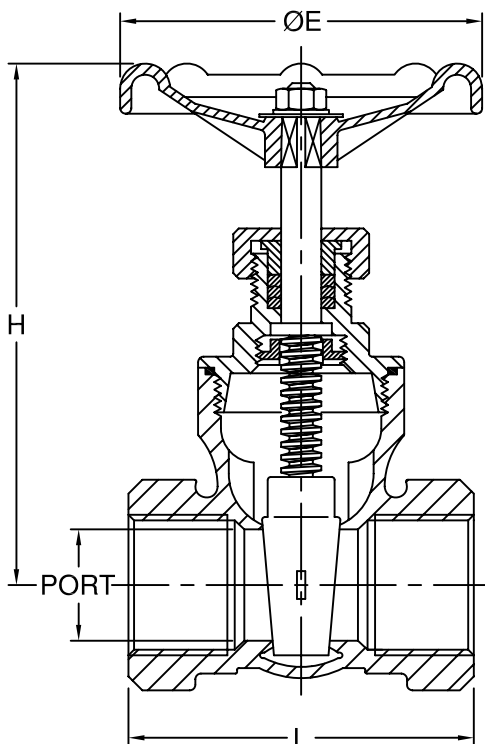
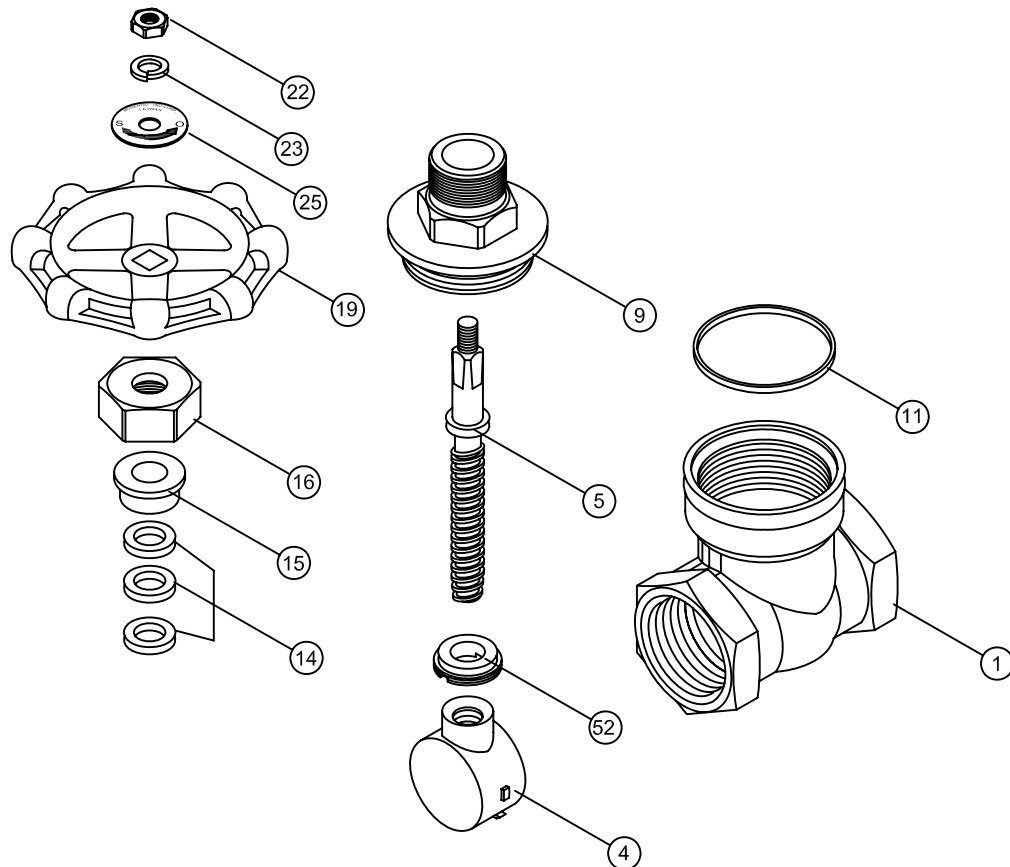
Body wall thickness : EN 12516-1/3  
 Threded end : BS 21 ( BSP )  
 BSPT  
 ISO 228-1  
 DIN 2999  
 ISO 7-1Rp  
 Face to Face : MFG's standard  
 Body Material : EN1503-1

**Specification :**

End Connection : Threaded end  
 Working pressure : PN 16 ( CWP )/ 200 psi  
 Temperature : -20 ~ 180°C

**MATERIALS LIST**

NO	PART NAME	MATERIAL
1	BODY	1.4408/EN1503-1
4	GATE	1.4408/EN1503-1
5	STEM	SS 316
9	BONNET	1.4408/EN1503-1
11	BONNET GASKET	PTFE.
14	STEM PACKING	PTFE.
15	GLAND	SS304
16	GLAND NUT	SS316
19	HANDLEWHEEL	ZnDc
22	HANDLEWHEEL NUT	SS304
23	HANDLEWHEEL WASHER	SS304
25	NAME PLATE	ALUMINUM
52	BACKSEAT BUSHING	SS304



**DIMENSIONS**

unit:mm

SIZE	PORT	L	ØE	H
DN15	1/2"	15.0	55.0	70.0
DN20	3/4"	20.0	60.5	70.0
DN25	1"	25.0	65.5	80.0
DN32	1-1/4"	32.0	76.5	80.0
DN40	1-1/2"	40.0	85.5	90.0
DN50	2"	50.0	95.5	100.0